

Instructions for use

WASHING MACHINE

GB

GB

English,1

RO

Română,13

DE

Deutsch,25

ES

Español,37

GR

ΕΛΛΗΝΙΚΑ,49

WIXE 127

Contents

Installation, 2-3

Unpacking and levelling
Electric and water connections
The first wash cycle
Technical details

Washing machine description, 4-5

Control panel
Display
“MEMO” Programme

Starting and Programmes, 6

Briefly: how to start a programme
Programme table

Personalisations, 7

Setting the spin cycle
Setting the delay timer
Setting the temperature
Functions

Detergents and laundry, 8

Detergent dispenser
Bleach cycle
Preparing your laundry
Special items

Precautions and advice, 9

General safety
Disposal
Saving energy and respecting the environment

Care and maintenance, 10

Cutting off the water or electricity supply
Cleaning your appliance
Cleaning the detergent dispenser
Caring for your appliance door and drum
Cleaning the pump
Checking the water inlet hose

Troubleshooting, 11

Service, 12

Before calling for Assistance

Installation

GB

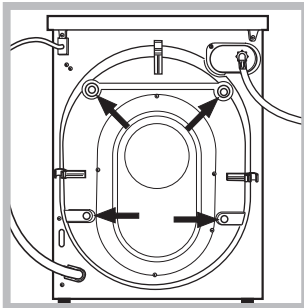
! Keep this instruction manual in a safe place for future reference. Should the appliance be sold, transferred or moved, make sure the instruction manual accompanies the washing machine to inform the new owner as to its operation and features.

! Read these instructions carefully: they contain vital information on installation, use and safety.

Unpacking and levelling

Unpacking

1. Unpack the washing machine.
2. Check whether the washing machine has been damaged during transport. If this is the case, do not install it and contact your retailer.



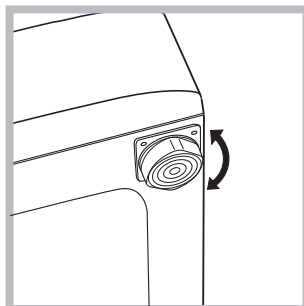
3. Remove the 4 protective screws and the rubber washer with the respective spacer, situated on the rear of the appliance (see figure).

4. Seal the gaps using the plastic plugs provided.
5. Keep all the parts: you will need them again if the washing machine needs to be moved to another location.

! Packaging materials are not children's toys.

Levelling

1. Install the washing machine on a flat sturdy floor, without resting it up against walls, furniture cabinets or other.

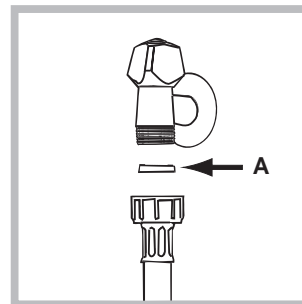


2. If the floor is not perfectly level, compensate for any unevenness by tightening or loosening the adjustable front feet (see figure); the angle of inclination, measured according to the worktop, must not exceed 2°.

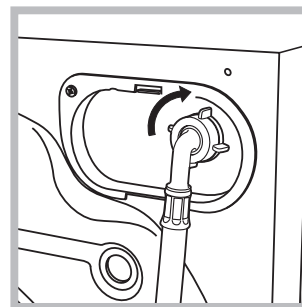
Levelling your appliance correctly will provide it with stability and avoid any vibrations, noise and shifting during operation. If it is placed on a fitted or loose carpet, adjust the feet in such a way as to allow enough room for ventilation beneath the washing machine.

Electric and water connections

Connecting the water inlet hose



1. Insert seal A into the end of the inlet hose and screw the latter onto a cold water tap with a 3/4 gas threaded mouth (see figure). Before making the connection, allow the water to run freely until it is perfectly clear.



2. Connect the other end of the water inlet hose to the washing machine, screwing it onto the appliance's cold water inlet, situated on the top right-hand side on the rear of the appliance (see figure).

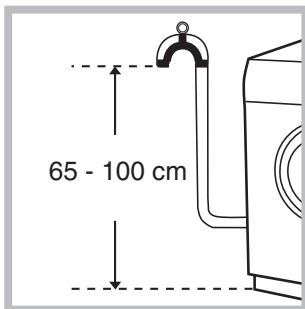
3. Make sure there are no kinks or bends in the hose.

! The water pressure at the tap must be within the values indicated in the Technical details table (on the next page).

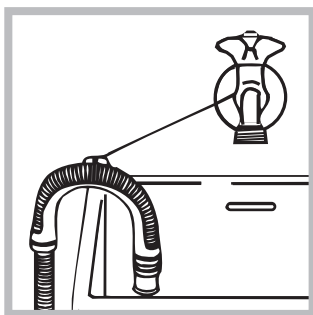
! If the water inlet hose is not long enough, contact a specialist store or an authorised serviceman.

! Never use hoses that have already been used.

Connecting the drain hose



Connect the drain hose, without bending it, to a draining duct or a wall drain situated between 65 and 100 cm from the floor;



alternatively, place it over the edge of a basin, sink or tub, fastening the duct supplied to the tap (see figure). The free end of the hose should not be underwater.

! We advise against the use of hose extensions; in case of absolute need, the extension must have the same diameter as the original hose and must not exceed 150 cm in length.

Electric connection

Before plugging the appliance into the mains socket, make sure that:

- the socket is earthed and in compliance with the applicable law;
- the socket is able to sustain the appliance's maximum power load indicated in the Technical details table (*on the right*);
- the supply voltage is included within the values indicated on the Technical details table (*on the right*);
- the socket is compatible with the washing machine's plug. If this is not the case, replace the socket or the plug.

! The washing machine should not be installed in an outdoor environment, not even when the area is sheltered, because it may be very dangerous to leave it exposed to rain and thunderstorms.

! When the washing machine is installed, the mains socket must be within easy reach.

! Do not use extensions or multiple sockets.

! The power supply cable must never be bent or dangerously compressed.

! The power supply cable must only be replaced by an authorised serviceman.

Warning! The company denies all liability if and when these norms are not respected.

The first wash cycle

Once the appliance has been installed, and before you use it for the first time, run a wash cycle with detergent and no laundry, setting the 90°C programme without a pre-wash cycle.

Technical details

Model WIXE 127

Dimensions 59.5 cm wide
85 cm high
53,5 cm deep

Capacity from 1 to 6 kg

Electric connections please refer to the technical data plate fixed to the machine

Water connections maximum pressure 1 MPa (10 bar)
minimum pressure 0.05 MPa (0.5 bar)
drum capacity 52 litres

Spin speed up to 1200 rpm

Control programmes according to EN 60456 directive programme 2; temperature 60°C;
run with a load of 6 kg.

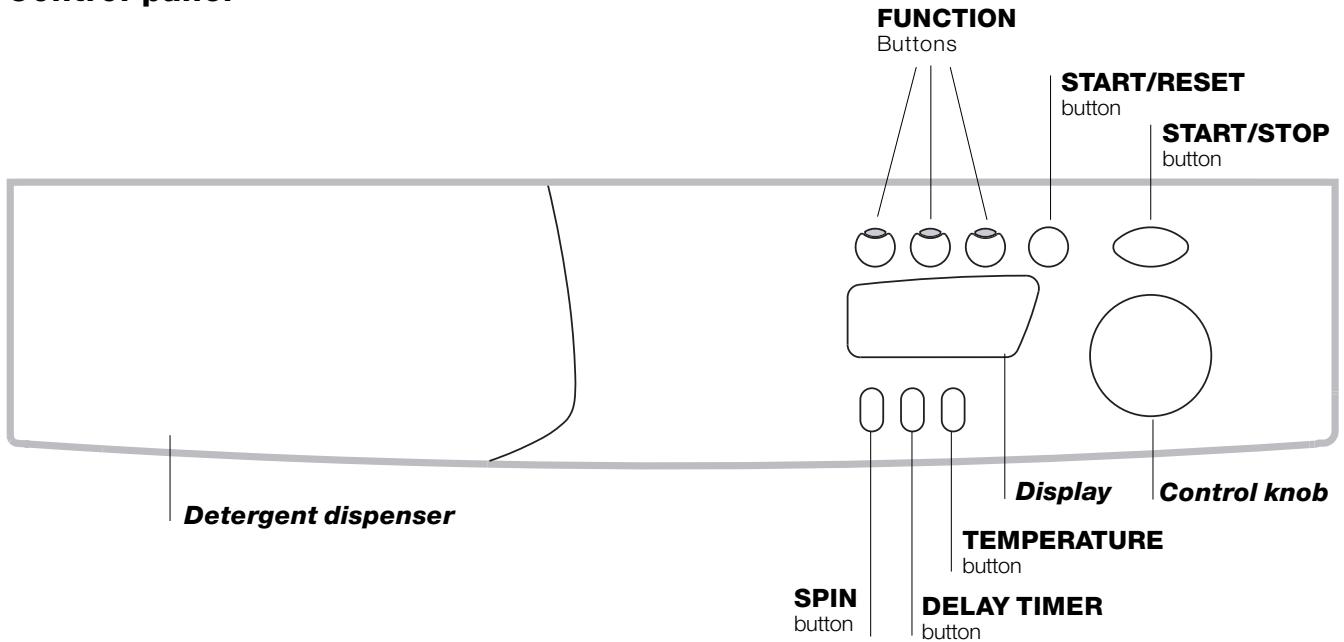


This appliance is compliant with the following European Community Directives:
- 89/336/CEE of 03/05/89 (Electromagnetic Compatibility) and subsequent amendments
- 2002/96/CE
- 2006/95/CE (Low Voltage)

Washing machine description

GB

Control panel



Detergent dispenser to add detergent and fabric softener (see page 8).

SPIN button to adjust the spin speed or exclude it altogether (see page 7).

DELAY TIMER button to delay the start of the set programme for a maximum period of 24 hours (see page 7).

TEMPERATURE button to adjust the wash temperature (see page 7).

Display to programme the washing machine and follow the wash cycle progress (see opposite page).

FUNCTION buttons: to select the functions available. The button corresponding to the function selected will remain on.

START/RESET button to start the programmes or cancel any incorrect settings.

START/STOP button to turn the washing machine on and off.

Control knob to select the wash programmes. The knob stays still during the cycle.

Note: to avoid excessive vibrations, before every spin cycle the machine distributes the load in a uniform manner by continuously rotating the drum at a speed which is slightly faster than the normal washing speed. When, despite repeated attempts, the load is still not evenly distributed, the machine spins at a lower speed than the set frequency.

If the load is excessively unbalanced, the machine attempts to distribute it instead of spinning.

The balancing attempts may extend the total duration of the cycle, up to a maximum of 10 minutes.

Display

GB

In addition to being a practical tool to programme your appliance (see page 7), the display provides useful information concerning the wash cycle.



Once you have pressed the START/RESET button to start the programme, the display will indicate the amount of time left until the end of the wash cycle. If a delayed start has been set (using the Delay Timer, see page 7), the delay time will be indicated on the display.

Door lock:



If the symbol is on, the washing machine door is locked to prevent it from being opened accidentally. To avoid any damages, wait for the symbol to switch itself off before you open the appliance door.

At the end of the programme, the word END is displayed.

! In the event of an anomaly, an error code will appear, such as: F-01, (see page 11).

"MEMO" Programme

This programme allows you to store your favourite or most-used wash cycle.

All you have to do is set the desired programme and, once it has started, turn the KNOB to position ; the wash cycle will be stored automatically and the word MEMO appears on the display, flashing for a few seconds. Subsequently, you can start the "MEMO" cycle by simply turning the KNOB to position ; you will be able to see the temperature/spin cycle/delay timer values by pressing the corresponding buttons; you will also be able to modify them but this variation will only be valid for the programme in progress and it will not be stored in the "MEMO" cycle.

If you want to store a new wash cycle, repeat the above-mentioned operations.





Starting and Programmes

GB

Briefly: starting a programme

1. Turn the washing machine on by pressing button (I).
2. Load your laundry into the washing machine and shut the appliance door.
3. Set the knob to the desired programme. The estimated duration of the selected programme is displayed. The temperature and spin speed are automatically set according to the programme (to change them, see page 7).
4. Select any functions (see page 7).
5. Add the detergent and any fabric softener (see page 8).
6. Start the programme by pressing the START/RESET button.
To cancel it, keep the START/RESET button pressed for at least 2 seconds.
7. When the programme has ended, the word END is displayed. Take out your laundry and leave the appliance door ajar to allow the drum to dry thoroughly.
8. Turn the washing machine off by pressing button (I).

Programme table

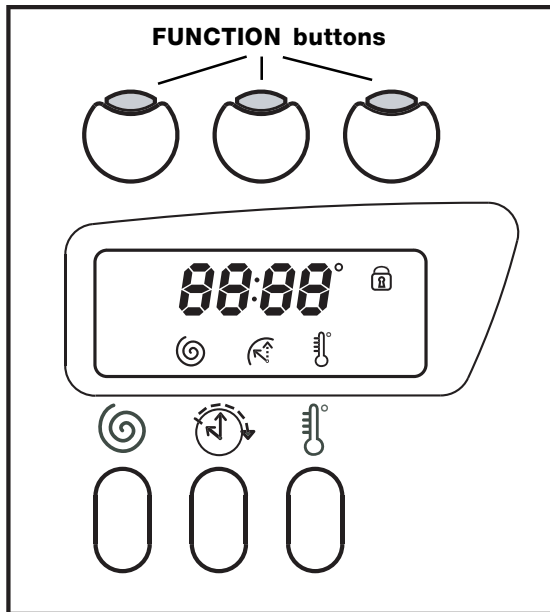
Type of fabric and degree of soil	Programmes	Temperature	Detergent		Fabric softener	Stain removal option/bleach	Cycle length (minutes)	Description of wash cycle
			pre-wash	wash				
Standard								
Cottons: Extremely soiled whites (sheets, tablecloths, etc.)	1	90°C	•	•	•		155	Pre-wash, wash cycle, rinse cycles, intermediate and final spin cycles
Cottons: Extremely soiled whites (sheets, tablecloths, etc.)	2	90°C		•	•	Delicate/Traditional	150	Wash cycle, rinse cycles, intermediate and final spin cycles
Cottons: Heavily soiled whites and fast colours	2	60°C		•	•	Delicate/Traditional	140	Wash cycle, rinse cycles, intermediate and final spin cycles
Cottons: Heavily soiled whites and delicate colours	2	40°C		•	•	Delicate/Traditional	125	Wash cycle, rinse cycles, intermediate and final spin cycles
Cottons: Slightly soiled whites and delicate colours (shirts, jumpers, etc.)	3	40°C		•	•	Delicate/Traditional	85	Wash cycle, rinse cycles, intermediate and final spin cycles
Synthetics: Heavily soiled fast colours (baby linen, etc.)	4	60°C		•	•	Delicate	83	Wash cycle, rinse cycles, anti-crease or delicate spin cycle
Synthetics: Heavily soiled fast colours (baby linen, etc.)	4	40°C		•	•	Delicate	70	Wash cycle, rinse cycles, anti-crease or delicate spin cycle
Wool	5	40°C		•	•		50	Wash cycle, rinse cycles, delicate spin cycle
Very delicate fabrics (curtains, silk, viscose, etc.)	6	30°C		•	•		45	Wash cycle, rinse cycles, anti-crease or draining cycle
Time 4 you								
Cottons: Heavily soiled whites and fast colours	7	60°C		•	•		60	Wash cycle, rinse cycles, intermediate and final spin cycles
Cottons: Slightly soiled whites and delicate colours (shirts, jumpers, etc.)	8	40°C		•	•		50	Wash cycle, rinse cycles, intermediate and final spin cycles
Synthetics: Delicate colours (all types of slightly soiled garments)	9	40°C		•	•		40	Wash cycle, rinse cycles, delicate spin cycle
Synthetics: Delicate colours (all types of slightly soiled garments)	10	30°C		•	•		30	Wash cycle, rinse cycles and delicate spin cycle
Sport								
Sports shoes (MAX. 2 pairs)	11	30°C		•	•		50	Cold wash (without detergents), wash cycle, rinse cycles, and delicate spin cycle
Fabrics for sportswear (Tracksuits, shorts, etc.)	12	30°C		•	•		60	Wash cycle, rinse cycles, intermediate and final spin cycles
MEMO		Allows for any wash cycle to be stored (see page 5).						
PARTIAL PROGRAMMES								
Rinse					•	Delicate/Traditional		Rinse cycles and spin cycle
Spin								Draining and spin cycle
Drain								Draining

Notes

- For programmes 7 and 8, we advise against exceeding a wash load of 3.5 kg.
- For programme 12 we advise against exceeding a wash load of 2 kg.
- For the anti-crease function: see Easy iron, *opposite page*. The information contained in the table is purely indicative.

Special programme

Daily (programme 10 for Synthetics) is designed to wash lightly soiled garments in a short amount of time: it only lasts 30 minutes and allows you to save on both time and energy. By setting this programme (10 at 30°C), you can wash different fabrics together (except for woollen and silk items), with a maximum load of 3 kg. We recommend the use of liquid detergent.



Setting the spin cycle

If, when the appliance is switched on, the KNOB is positioned on a programme with a spin cycle, a fixed appears. Press button and the maximum spin speed allowed for the programme set will be displayed, and the icon flashes. Press it again and the values lower until they reach OFF, which indicates that the spin cycle has been excluded (press it again to go back to the maximum value); stop on the desired speed, after approximately 2 seconds the setting is accepted: the symbol remains fixed. The spin cycle setting is enabled with all the programmes except for 6 and the Draining cycle.

Setting the delay timer

Press the button and you will see the word OFF on the display, while the relative symbol flashes. Press the button again and "1h" appears, that is, a delay of one hour (this can reach up to 24h); stop on the "desired" delay; after approximately 2 seconds the setting is accepted, following which, the time for the set programme appears on the display and the symbol remains on. If you now press the START/RESET button, the set "delay" appears; this decreases every hour until the start of the cycle. In

this phase, the "delay" can only be modified by decreasing it. The Delay Timer regulation is enabled with all programmes.

Setting the temperature

If, when the appliance is switched on, the KNOB is positioned on a programme for which the temperature needs to be regulated, a fixed appears. Press button and the maximum temperature allowed for the programme set will be displayed and the icon flashes. Press it again and the temperature lowers until it reaches OFF, which indicates a cold wash cycle (press it again to go back to the maximum value); stop on the desired value, after approximately 2 seconds the setting is accepted: the symbol remains fixed. The temperature adjustment is enabled with all wash programmes.

Functions

To enable a function:

1. press the button corresponding to the desired function, according to the table below;
2. the function is enabled when the corresponding button is illuminated.

Note: The rapid flashing of the button indicates that the corresponding function cannot be selected for the programme set.

If you set a function that is incompatible with another function you selected previously, only the last one selected will be enabled.

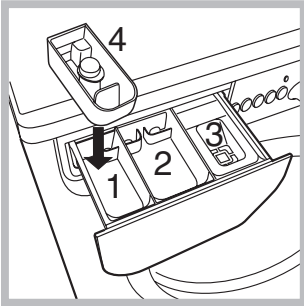
Function	Effect	Comments	Enabled with programmes:
Stain removal	Bleaching cycle designed to remove the toughest stains.	Please remember to pour the bleach into extra compartment 4 (see page 8). This function is incompatible with the EASY IRON function.	2, 3, 4, Rinse cycle.
Extra Rinse	Increases the efficiency of the rinse.	Recommended when the appliance has a full load or with large quantities of detergent.	1, 2, 3, 4, 7, 8, 9, 11, 12, Rinse cycle.
Easy iron	This option reduces the amount of creasing on fabrics, making them easier to iron.	When this function is set, programmes 4 and 6 will end, with the laundry left to soak (Anti-crease), and the relative button flashes: - to conclude the cycle, press the START/RESET button or the EASY IRON button; - to run the draining cycle alone, set the knob to the relative symbol and press the START/RESET button. This function is incompatible with the STAIN REMOVAL function.	3, 4, 6, 7, 8, 9, Rinse cycle.

Detergents and laundry

GB

Detergent dispenser

Good washing results also depend on the correct dose of detergent: adding too much detergent won't necessarily make for a more efficient wash, and may in fact cause build up on the interior of your appliance and even pollute the environment.



Open up the detergent dispenser and pour in the detergent and fabric softener, as follows.

compartment 1: Detergent for pre-wash (powder)

Before pouring in the detergent, make sure that extra compartment 4 has been removed.

compartment 2: Detergent for the wash cycle (powder or liquid)

Liquid detergent should only be poured in immediately prior to the wash cycle start.

compartment 3: Additives (fabric softeners, etc.)

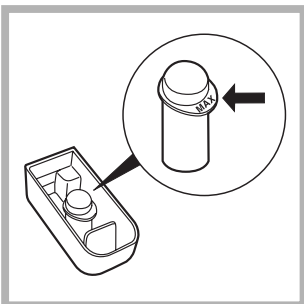
The fabric softener should not overflow from the grid.

extra compartment 4: Bleach


! Do not use hand wash detergent because it may form too much foam.

Bleach cycle

! **Traditional** bleach should be used on sturdy white fabrics, and **delicate** bleach for coloured fabrics, synthetics and for wool.



Place extra compartment 4, provided, into compartment 1. When pouring in the bleach, be careful not to exceed the "max" level indicated on the central pivot (see figure).

To run the bleach cycle alone, pour the bleach into extra compartment 4, set the Rinse programme  and enable the Stain removal function (see page 7). To bleach during a wash cycle, pour in the detergent and fabric softener, set the desired programme and enable the Stain removal function (see page 7). The use of extra compartment 4 excludes the possibility of using the pre-wash cycle.

Preparing your laundry

- Divide your laundry according to:
 - the type of fabric/the symbol on the label.
 - the colours: separate coloured garments from whites.
- Empty all pockets and check for loose buttons.
- Do not exceed the weight limits stated below, which refer to the weight when dry:
 - Sturdy fabrics: max 6 kg
 - Synthetic fabrics: max 2.5 kg
 - Delicate fabrics: max 2 kg
 - Wool: max 1,5 kg

How much does your laundry weigh?

- 1 sheet 400-500 g
- 1 pillow case 150-200 g
- 1 tablecloth 400-500 g
- 1 bathrobe 900-1200 g
- 1 towel 150-250 g

Special items

Curtains: fold curtains and place them in a pillow case or mesh bag. Wash them separately without exceeding half the appliance load. Use programme 6 which excludes the spin cycle automatically.

Quilted coats and windbreakers: if they are padded with goose or duck down, they can be machine-washed. Turn the garments inside out and load a maximum of 2-3 kg, repeating the rinse cycle once or twice and using the delicate spin cycle.

Wool: for best results, use a specific detergent, taking care not to exceed a load of 1,5 kg.

! The washing machine was designed and built in compliance with the applicable international safety regulations. The following information is provided for your safety and should consequently be read carefully.

General safety

- This appliance has been designed for non-professional, household use and its functions must not be changed.
- This washing machine should only be used by adults and in accordance with the instructions provided in this manual.
- Never touch the washing machine when barefoot or with wet or damp hands or feet.
- Do not pull on the power supply cable to unplug the appliance from the electricity socket. Pull the plug out yourself.
- Do not open the detergent dispenser while the appliance is in operation.
- Do not touch the drain water as it could reach very high temperatures.
- Never force the washing machine door: this could damage the safety lock mechanism designed to prevent any accidental openings.
- In the event of a malfunction, do not under any circumstances touch internal parts in order to attempt repairs.
- Always keep children well away from the appliance while in operation.
- The appliance door tends to get quite hot during the wash cycle.
- Should it have to be moved, proceed with the help of two or three people and handle it with the utmost care. Never try to do this alone, because the appliance is very heavy.
- Before loading your laundry into the washing machine, make sure the drum is empty.

Disposal

- Disposing of the packaging material: observe local regulations, so the packaging can be re-used.
- The European Directive 2002/96/EC on Waste Electrical and Electronic Equipment, requires that old household electrical appliances must not be disposed of in the normal unsorted municipal waste stream. Old appliances must be collected separately in order to optimise the recovery and recycling of the materials they contain and reduce the impact on human health and the environment.

The crossed out "wheeled bin" symbol on the product reminds you of your obligation, that when you dispose of the appliance it must be separately collected.

Consumers should contact their local authority or retailer for information concerning the correct disposal of their old appliance.

Saving energy and respecting the environment

Environmentally-friendly technology

If you only see a little water through your appliance door, this is because thanks to the latest Indesit technology, your washing machine only needs less than half the amount of water to get the best results: an objective reached to respect the environment.

Saving on detergent, water, energy and time

- To avoid wasting resources, the washing machine should be used with a full load. A full load instead of two half loads allows you to save up to 50% on energy.
- The pre-wash cycle is only necessary on extremely soiled garments. Avoiding it will save on detergent, time, water and between 5 and 15% energy.
- Treating stains with a stain remover or leaving them to soak before washing will cut down the need to wash them at high temperatures. A programme at 60°C instead of 90°C or one at 40°C instead of 60°C will save up to 50% on energy.
- Use the correct quantity of detergent depending on the water hardness, how soiled the garments are and the amount of laundry you have, to avoid wastage and to protect the environment: despite being biodegradable, detergents do contain ingredients that alter the natural balance of the environment. In addition, avoid using fabric softener as much as possible.
- If you use your washing machine from late in the afternoon until the early hours of the morning, you will help reduce the electricity board's peak load. The Delay Timer option (see page 7) helps to organise your wash cycles accordingly.
- If your laundry has to be dried in a tumble dryer, select a high spin speed. Having the least water possible in your laundry will save you time and energy in the drying process.

Care and maintenance

GB

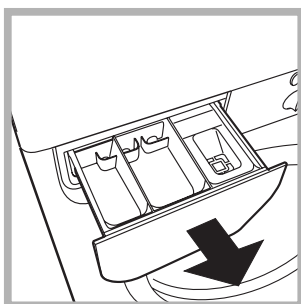
Cutting off the water or electricity supply

- Turn off the water tap after every wash. This will limit the wear of your appliance's water system and also prevent leaks.
- Unplug your appliance when cleaning it and during all maintenance operations.

Cleaning your appliance

The exterior and rubber parts of your appliance can be cleaned with a soft cloth soaked in lukewarm soapy water. Do not use solvents or abrasives.

Cleaning the detergent dispenser



Remove the dispenser by pulling it out (see figure). Wash it under running water; this operation should be repeated frequently.

Caring for your appliance door and drum

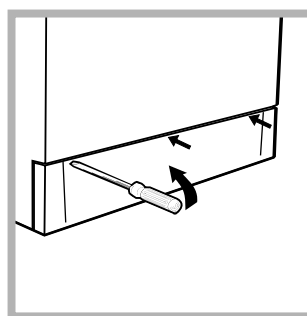
- Always leave the appliance door ajar to prevent unpleasant odours from forming.

Cleaning the pump

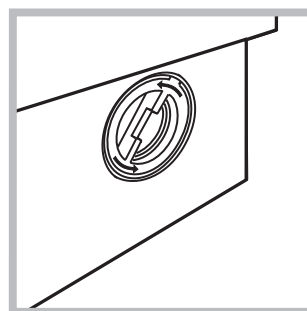
The washing machine is fitted with a self-cleaning pump that does not require any maintenance. Sometimes, small items (such as coins or buttons) may fall into the pre-chamber that protects the pump, situated in the lower part of the same.

! Make sure the wash cycle has ended and unplug the appliance.

To access the pre-chamber:



1. using a screwdriver, remove the cover panel on the lower front of the washing machine (see figure);



2. unscrew the lid rotating it anti-clockwise (see figure): a little water may trickle out. This is perfectly normal;

3. clean the interior thoroughly;
4. screw the lid back on;
5. reposition the panel, making sure the hooks are securely in place before you push it onto the appliance.

Checking the water inlet hose

Check the water inlet hose at least once a year. If you see any cracks, replace it immediately: during the wash cycles, water pressure is very strong and a cracked hose could easily split open.

! Never use hoses that have already been used.

Your washing machine could fail to work. Before calling for Assistance (see page 12), make sure the problem can't easily be solved by consulting the following list.

GB


Problem

Possible causes/Solution:

The washing machine won't start.

- The appliance is not plugged into the socket, or not enough to make contact.
- There has been a power failure.

The wash cycle won't start.

- The appliance door is not shut properly (the word DOOR is displayed).
- The  button has not been pressed.
- The START/RESET button has not been pressed.
- The water tap is not turned on.
- A delayed start has been set (using the Delay Timer, see page 7).

The washing machine fails to load water (The wording H2O is displayed).

- The water inlet hose is not connected to the tap.
- The hose is bent.
- The water tap is not turned on.
- There is a water shortage.
- The water pressure is insufficient.
- The START/RESET button has not been pressed.

The washing machine continuously loads and unloads water.

- The drain hose is not fitted between 65 and 100 cm from the floor (see page 3).
- The free end of the hose is underwater (see page 3).
- The wall drainage system doesn't have a breather pipe.

If the problem persists even after these checks, turn off the water tap, switch the appliance off and call for Assistance. If the dwelling is on one of the upper floors of a building, there may be drain trap problems causing the washing machine to load and unload water continuously. In order to avoid such an inconvenience, special anti-drain trap valves are available in shops.

The washing machine does not drain or spin.

- The programme does not foresee the draining: some programmes require enabling the draining manually (see page 6).
- The "Easy iron" option is enabled: to complete the programme, press the START/RESET button (see page 7).
- The drain hose is bent (see page 3).
- The drain duct is clogged.

The washing machine vibrates too much during the spin cycle.

- The drum was not unblocked correctly during installation (see page 2).
- The washing machine is not level (see page 2).
- The washing machine is closed in between furniture cabinets and the wall (see page 2).

The washing machine leaks.

- The water inlet hose is not screwed on correctly (see page 2).
- The detergent dispenser is obstructed (to clean it, see page 10).
- The drain hose is not secured properly (see page 3).

In the event of an anomaly, an error code will appear, such as: F-01.

- Switch off the machine and unplug the appliance; wait for approximately 1 minute then switch it on again. If the problem persists, contact Assistance.

There is too much foam.

- The detergent is not suitable for machine washing (it should bear the definition "for washing machines" or "hand and machine wash", or the like).
- You used too much detergent.

Service

GB

Before calling for Assistance:

- Check whether you can solve the problem on your own (*see page 11*);
- Restart the programme to check whether the problem has been solved;
- If this is not the case, contact an authorised Technical Service Centre on the telephone number provided on the guarantee certificate.

! Always request the assistance of authorised servicemen.

Notify the operator of:

- the type of problem;
- the appliance model (Mod.);
- the serial number (S/N).

This information can be found on the data plate situated on the rear of the washing machine.

INSTRUCȚIUNI DE FOLOSIRE

MAȘINĂ DE SPĂLAT RUFEE

RO

Română

WIXE 127

Sumar

Instalare, 14-15

Scoaterea din ambalaj și nivelarea
Legături hidraulice și electrice
Primul program de spălare
Date tehnice

Descrierea mașinii de spălat, 16-17

Panoul de control
Display-ul
Program "MEMO"

Pornire și Programe, 18

Pe scurt: pornirea unui program
Tabel de programe

Personalizări, 19

Reglarea turației de centrifugare
Reglarea delay timerului
Reglarea temperaturii
Funcții

Detergenți și rufe albe, 20

Sertarul detergenților
Program de albire
Sortarea rufelor
Rufe deosebite

Precauții și sfaturi, 21

Protecție generală
Aruncarea reziduurilor
Protecția și respectarea mediului înconjurător

Întreținere și îngrijire, 22

Oprirea apei și a curentului electric
Curățarea mașinii de spălat
Curățarea sertarului pentru detergenți
Îngrijirea hubloului și a cuvei
Curățarea pompei
Controlarea furtunului de alimentare cu apă

Anomalii și remedii, 23

Asistență, 24

Înainte de a lua legătura cu Asistența

RO

Instalare

RO

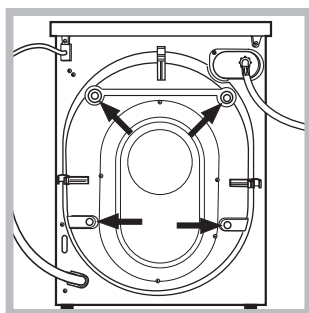
! Este important să se păstreze acest manual pentru a-l putea consulta în orice moment. În caz de vânzare, cesiune sau schimbare a locuinței, acesta trebuie păstrat împreună cu mașina de spălat pentru a informa noul proprietar cu privire la funcționare și la respectivele avertismente.

! Citiți cu atenție instrucțiunile: veți găsi informații importante cu privire la instalare, folosire și siguranță.

Scoaterea din ambalaj și nivelarea

Scoaterea din ambalaj

1. Scoateți din ambalaj mașina de spălat.
2. Controlați ca mașina să nu fi fost deteriorată pe durata transportului. Dacă este deteriorată, nu o conectați și luați legătura cu cine v-a vândut-o.



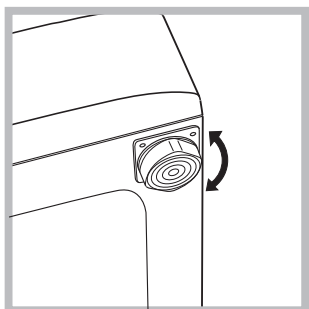
3. Scoateți cele 4 șuruburi de protecție pentru transport și cauciucul cu respectivul distanțator, situate în partea posterioară (a se vedea figura).

4. Închideți orificiile cu dopurile de plastic din dotare.
5. Păstrați toate piesele: pentru cazul în care mașina de spălat va trebui să fie transportată, piesele vor trebui montate din nou.

! Ambalajele nu constituie jucării pentru copii.

Nivelare

1. Instalați mașina de spălat pe un plan rigid, fără a o sprijini de ziduri, mobilă sau altceva.

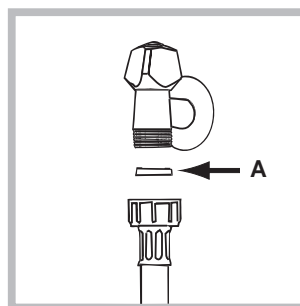


2. Dacă podeaua nu este perfect orizontală, compensați neregularitățile deșurubând sau înșurubând piciorușele anterioare (a se vedea figura); unghiul de înclinare, măsurat pe planul de lucru, nu trebuie să depășească 2°.

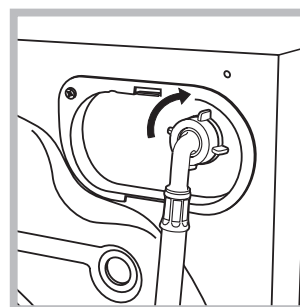
O nivelare precisă conferă stabilitate mașinii și evită vibrații, zgomote și deplasări pe durata funcționării. În cazul mochetelor sau a unui covor, reglați piciorușele astfel încât să mențineți sub mașina de spălat un spațiu suficient pentru ventilare.

Legături hidraulice și electrice

Conectarea furtunului de alimentare cu apă



1. Introduceți garnitura A în extremitatea furtunului de alimentare și înșurubați-l la un robinet filetat de apă rece (a se vedea figura). Înainte de conectare, lăsați apa să curgă pentru a se limpezi.



2. Conectați furtunul de alimentare la mașina de spălat, înșurubându-l la respectiva priză de apă, în partea posterioară, sus, în dreapta (a se vedea figura).

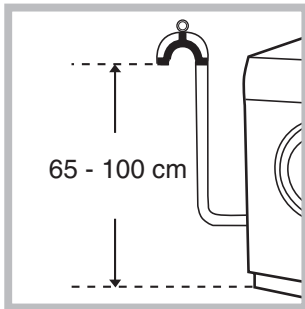
3. Fiți atenți ca furtunul să nu fie nici curbat, nici îndoit.

! Presiunea apei trebuie să fie cuprinsă în valorile tabelului "Date tehnice" (a se vedea pagina alăturată).

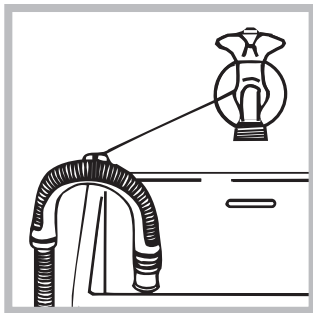
! Dacă lungimea furtunului de alimentare nu este suficientă, adresați-vă unui magazin specializat sau unui tehnician autorizat.

! Nu folosiți furtunuri deja folosite.

Conectarea furtunului de evacuare



Conectați furtunul de evacuare, fără a-l îndoi, la o conductă de evacuare sau la o gură de evacuare a apei, situate între 65 și 100 cm de pământ;



sau sprijiniți-l pe marginea unei chiuvete sau a unei căzi, legând ghidajul aflat în dotare, de robinet (*a se vedea figura*). Extremitatea liberă a furtunului de evacuare nu trebuie să rămână cufundată în apă.

! Nu este recomandabilă folosirea furtunurilor de prelungire; dacă este indispensabil, furtunul de prelungire trebuie să aibă același diametru cu furtunul original și nu trebuie să depășească 150 cm.

Legătura electrică

Înainte de a introduce ștecherul în priză de curent, asigurați-vă ca:

- priza să fie cu împământare și conform prevederilor legale;
- priza să poată suporta sarcina maximă de putere a mașinii, indicată în tabelul cu date tehnice (*a se vedea alături*);
- tensiunea de alimentare să fie cuprinsă în valorile indicate în tabelul cu date tehnice (*a se vedea alături*);
- priza să fie compatibilă cu ștecherul mașinii de spălat. În caz contrar, înlocuiți priza sau ștecherul.

! Mașina de spălat nu trebuie instalată afară, nici chiar în cazul în care spațiul este adăpostit, deoarece este foarte periculoasă expunerea mașinii la ploaie și furtuni.

! După instalarea mașinii de spălat, priza de curent trebuie să fie ușor accesibilă.

! Nu folosiți prelungitoare și prize multiple.

! Mașina nu funcționează la temperaturi mai mici de 16 grade.

! Cablul nu trebuie să fie îndoit sau comprimat.

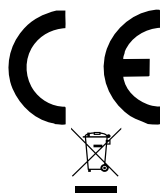
! Cablul de alimentare trebuie să fie înlocuit doar de tehnicienii autorizați.

Atenție! Producătorul își declină orice responsabilitate pentru cazul în care aceste norme nu se respectă.

Primul program de spălare

După instalare, înainte de folosire, efectuați un program de spălare cu detergent și fără rufe, selectând programul la 90°C, fără prespălare.

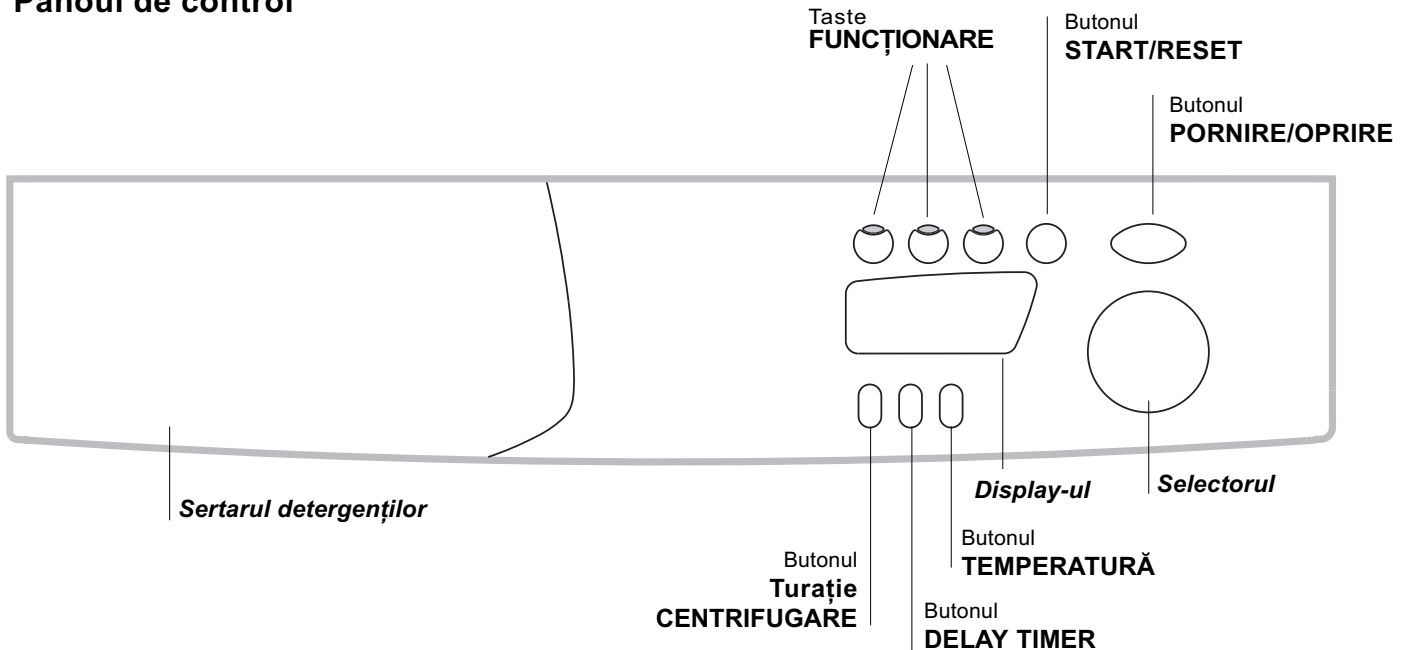
Date tehnice

Model	WIXE 127
Dimensiuni	lățime: 59,5 cm înălțime: 85 cm profundime: 53,5 cm
Capacitate	de la 1 la 6 kg
Legături electrice	vezi eticheta cu caracteristicile tehnice, aplicată pe mașină
Legături hidrice	presiune maximă: 1 MPa (10 bari) presiune minimă: 0,05 MPa (0,5 bari) capacitatea cuvei: 52 litri
Turația de centrifugare	până la 1200 de rotații pe minut
Programe de control în baza normei EN 60456	programul 2; temperatura 60°C; efectuată cu 6 kg de rufe.
	Acest aparat este conform cu următoarele Directive Comunitare: - 89/336/CEE din data de 03/05/89 (Compatibilitate Electromagnetică) și modificări succesive - 2002/96/CE - 2006/95/CE (Tensiuni Joase)
Zgomot (dB(A) re 1 pW)	Spălare: 66 Turație de centrifugare: 77

Descrierea mașinii de spălat

RO

Panoul de control



Sertarul detergentilor este folosit pentru a încărca detergenți și aditivi (a se vedea pag. 20).

Butonul **Turație CENTRIFUGARE** este folosit pentru reglarea turației de centrifugare până la excluderea acesteia (a se vedea pag. 19).

Butonul **DELAY TIMER** este folosit pentru a întârzia pornirea programului selectat cu maxim 24 de ore (a se vedea pag. 19).

Butonul **TEMPERATURĂ** este folosit pentru modificarea temperaturii de spălare (a se vedea pag. 19).

Display-ul este folosit pentru programarea mașinii de spălat și efectuarea avansării programelor de spălare (a se vedea pagina alăturată).

Taste **FUNCȚIONARE**: sunt folosite pentru a selecta funcțiile disponibile. Butonul corespunzător funcției selectate va rămâne aprins.

Butonul **START/RESET** este folosit pentru pornirea programelor sau anularea a ceea ce a fost selectat greșit.

Butonul **PORNIRE/OPRIRE** este folosit pentru pornirea și oprirea mașinii de spălat.

Selectorul este folosit pentru alegerea programelor. Pe durata programului, selectorul rămâne ferm.

Note: Pentru a evita vibrarea excesivă, înainte de stoarcere, mașina va distribui cantitatea de rufe în mod uniform, efectuând câteva rotații complete la o turație mai mare în raport cu turația de spălare.

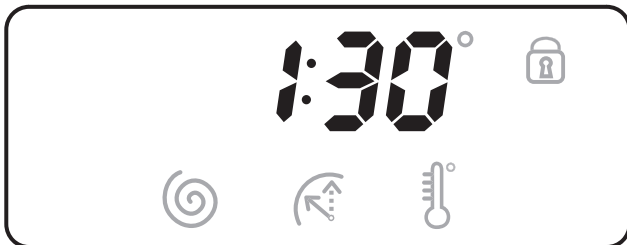
Dacă, după numeroase încercări, mașina nu reușește să echilibreze încărcătura, stoarcerea rufelor se va face la o turație mai mică decât cea prevăzută de program.

Dacă dezechilibrul este prea mare (în cazul încărcărilor excesive), mașina va încerca să redistribuie încărcătura înainte de a efectua stoarcerea.

Acste încercări pot prelungi durata totală a unui program cu maxim 10 minute.

Display-ul

Acesta este un instrument util pentru programarea mașinii (a se vedea pag. 19), furnizând totodată informații cu privire la programul de spălare.



După apăsarea butonului START/RESET pentru a porni programul, pe display este cronometrată durata reziduală până la inițierea programului de spălare ales. În cazul în care ați optat pentru inițierea programului de spălare după un anumit interval de timp (Delay Timer, a se vedea pag. 19), aceasta va fi vizualizată.

Hubloul blocat:

Simbolul aprins indică faptul că hubloul este blocat pentru a împiedica deschideri accidentale.


Pentru a evita daunele ce pot deriva dintr-o funcționare defectuoasă, este necesar să așteptați ca simbolul să se stingă înainte de a deschide hubloul.


La încheierea programului se vizualizează cuvântul END.

! În caz de anomalie apare un cod de eroare, de exemplu: F-01, (a se vedea pag. 23).

Program “MEMO”

Acest program permite memorarea programului de spălare preferat sau a celui mai utilizat.

Este suficient să se selecteze programul dorit și, după pornire să se rotească SELECTORUL în dreptul poziției ; automat programul va fi memorat iar pe display va apărea scris “MEMO” intermitent timp de câteva secunde.

După aceea va fi posibilă pornirea unui program “MEMO” doar prin rotirea SELECTORULUI în dreptul poziției ; se vor putea vizualiza valorile de temperatură/turație centrifugare/delay timer apăsând butoanele corespunzătoare; se vor putea chiar și modifica, însă această variație va fi valabilă doar pentru programul în curs și nu va fi memorată în programul „MEMO”.

Dacă se dorește memorarea unui nou program de spălare, repetați operațiile indicate mai sus.

Pornire și Programe





RO

Pe scurt: pornirea unui program

1. Porniți mașina de spălat apăsând butonul (I).
2. Introduceți rufe și închideți hubloul.
3. Selectați cu ajutorul selectorului programul dorit.
Pe display va apărea durata estimată.
Temperatura și turația de centrifugare se selectează automat în baza programului (pentru a le modifica, a se vedea pag. 19).

4. Selectați eventuale funcții (*a se vedea pag. 19*).
5. Vărsați detergentii și aditivii (*a se vedea pag. 20*).
6. Porniți programul apăsând butonul START/RESET.
Pentru a-l anula, țineți apăsat butonul START/RESET timp de cel puțin 2 secunde.
7. La încheierea programului va apărea scris END.
Scoateți rufe și lăsați hubloul întredeschis pentru a se putea usca cuva.
8. Opriți mașina de spălat apăsând butonul (I).

Tabel de programe

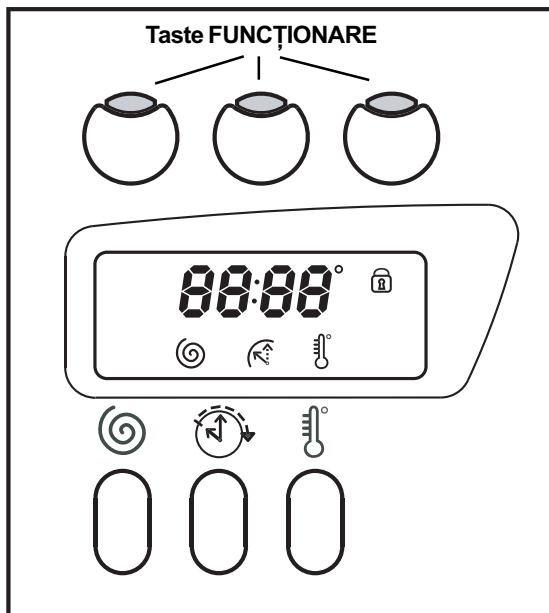
Tipul de țesătură și gradul de murdărie	Programe	Temperatură	Detergent		Aditiv înmuiere	Opțiune Antipătă / Decolorant	Durata programului (minute)	Descrierea programului de spălare
			presp.	spăl.				
Standard								
Bumbac: Albe extrem de murdare (cearceafuri, fețe de masă, etc.)	1	90°C	•	•	•		155	Prespălare, spălare, clătiri, stoarceri intermediare și finale
Bumbac: Albe extrem de murdare (cearceafuri, fețe de masă, etc.)	2	90°C		•	•	Delicată / Tradiționale	150	Spălare, clătiri, stoarceri intermediare și finale
Bumbac: Albe și colorate rezistente foarte murdare	2	60°C		•	•	Delicată / Tradiționale	140	Spălare, clătiri, stoarceri intermediare și finale
Bumbac: Albe și colorate rezistente foarte murdare	2	40°C		•	•	Delicată / Tradiționale	125	Spălare, clătiri, stoarceri intermediare și finale
Bumbac: Albe puțin murdare și culori delicate (cămăși, bluze, etc.)	3	40°C		•	•	Delicată / Tradiționale	85	Spălare, clătiri, stoarceri intermediare și finale
Sintetice: Culori rezistente foarte murdare (articole pentru noi născuți, etc.)	4	60°C		•	•	Delicată	83	Spălare, clătiri, antișifonare sau turație de centrifugare delicată
Sintetice: Culori rezistente foarte murdare (articole pentru noi născuți, etc.)	4	40°C		•	•	Delicată	70	Spălare, clătiri, antișifonare sau turație de centrifugare delicată
Lână	5	40°C		•	•		50	Spălare, clătiri, și turație de centrifugare delicată
Țesături foarte delicate (perdele, mătase, vâscoză, etc.)	6	30°C		•	•		45	Spălare, clătiri, antișifonare sau evacuare
Time 4 you								
Bumbac: Albe și colorate rezistente foarte murdare	7	60°C		•	•		60	Spălare, clătiri, stoarceri intermediare și finale
Bumbac: Albe puțin murdare și culori delicate (cămăși, bluze, etc.)	8	40°C		•	•		50	Spălare, clătiri, stoarceri intermediare și finale
Sintetice: Culori delicate (rufe de toate tipurile puțin murdare)	9	40°C		•	•		40	Spălare, clătiri și turație de centrifugare delicată
Sintetice: Culori delicate (rufe de toate tipurile puțin murdare)	10	30°C		•	•		30	Spălare, clătiri și turație de centrifugare delicată
Sport								
Încălțăminte sportivă (MAX 2 perechi.)	11	30°C		•	•		50	Spălare la rece (fără detergent), spălare, clătiri și turație de centrifugare delicată
Îmbrăcăminte sportivă (Treninguri, costume gimnastică, etc.)	12	30°C		•	•		60	Spălare, clătiri, turații de centrifugare intermediare și finale
MEMO		Permite memorarea oricărui tip de spălare (vezi pag. 17).						
PROGRAME PARȚIALE								
Clătire					•	Delicată / Tradiționale		Clătiri și turație de centrifugare
Turația de centrifugare								Evacuare apă și turație de centrifugare
Evacuare								Evacuare

Note

- Pentru programele 7 - 8 este recomandabil să nu se depășească o cantitate de rufe de 3,5 kg.
- Pentru programul 12 este recomandabil să nu se depășească o cantitate de rufe de 2 kg.
- Antișifonare-a se vedea „calcă mai ușor”, *pagina alăturată*. Datele specificate în tabel au valoare indicativă.

Program special

Zilnic 30' (programul 10 pentru materiale sintetice) este studiat pentru a spăla rufe puțin murdare într-un interval scurt de timp: durează doar 30 de minute, economisindu-se totodată energie și timp. Selectând programul (10 la 30°C) este posibilă spălarea împreună a țesăturilor de diverse tipuri (excluse lâna și mătasea) cu o încărcătură maximă de 3 kg. *Se recomandă folosirea detergentului lichid.*



Reglarea turației de centrifugare

Dacă la pornirea mașinii, SELECTORUL este poziționat în dreptul unui program care prevede turația de centrifugare, simbolul apare fix. Apăsând butonul se vizualizează turația maximă permisă de centrifugare pentru programul selectat iar simbolul luminează intermitent. Apăsând din nou valorile coboară până la OFF, ceea ce indică excluderea turației de centrifugare (apăsați din nou pentru a reveni la valoarea cea mai mare); opriți-vă la valoarea dorită, după circa 2 secunde selecția se acceptă: simbolul rămâne fix. Reglarea turației de centrifugare este activă pentru toate programele cu excepția programului 6 și a evacuării.

Reglarea delay timerului

Apăsând butonul , pe display se vizualizează scris OFF iar simbolul respectiv luminează intermitent. Apăsând din nou butonul apare „1h” adică întârziere de o oră și așa mai departe până la 24h; opriți-vă la „întârzierea” dorită, după circa 2 secunde selecția se acceptă; ulterior, pe display se vizualizează durata prevăzută pentru programul selectat iar simbolul rămâne aprins. Apăsând butonul START/RESET

apare din nou valoarea „întârzierii” selectate care descrește în fiecare oră până la pornirea programului; în această fază se poate modifica valoarea „întârzierii” doar micșorând-o. Reglarea Delay Timerului este activă cu toate programele.

Reglarea temperaturii

Dacă la pornirea mașinii, SELECTORUL este poziționat în dreptul unui program care prevede reglarea temperaturii, simbolul apare fix. Apăsând butonul se vizualizează temperatura maximă permisă pentru programul selectat iar simbolul luminează intermitent. Apăsând din nou, temperatura coboară până la OFF, care indică spălarea la rece (apăsați din nou pentru a reveni la valoarea cea mai mare); opriți-vă la valoarea dorită, după circa 2 secunde selecția se acceptă: simbolul rămâne fix.

Reglarea temperaturii este activă cu toate programele de spălare.

Funcții

Diferitele funcții de spălare prevăzute pentru mașina de spălat permit obținerea unor rezultate excepționale (o calitate îmbunătățită a spălării-rufe curate, etc.). Pentru a activa aceste funcții, procedați astfel:

1. apăsați butonul aferent funcției dorite, ținând cont de informațiile conținute în tabelul de mai jos;
2. aprinderea butonului respectiv indică faptul că funcția respectivă a fost activată.

Notă: Intermitența rapidă a butonului indică faptul că funcția respectivă nu este selecționabilă pentru programul ales. În cazul în care va fi selectată o funcție incompatibilă cu cea selectată mai înainte, doar ultima aleasă va rămâne activă.

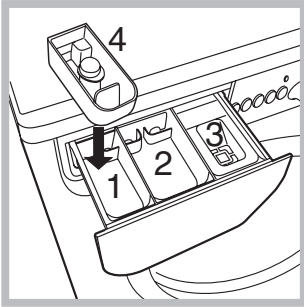
Funcții	Efect	Note pentru folosire	Activă cu programele:
Antipată	Program de albire adecvat eliminării petelor persistente.	A se vărsa decolorantul în sertarul adițional 4(a se vedea pag. 20). În acest moment nu puteți utiliza funcția CALCĂ MAI UȘOR.	2, 3, 4, Clătiri.
Extra Clătire	Mărește eficacitatea clătirii.	Se recomandă cu mașina plină sau cu dozemărite de detergent.	1, 2, 3, 4, 7, 8, 9, 11, 12, Clătiri.
Calcă mai ușor	Reduce pliurile la țesături facilitând călcarea.	Selectând această funcție, programele 4, 6 se întrerup cu rufe la înmuiat (Antișifonare) iar butonul respectiv luminează intermitent. - pentru a completa programul apăsați butonul START/RESET sau butonul CALCĂ MAI UȘOR. - pentru a efectua doar evacuarea poziționați selectorul în dreptul simbolului respectiv și apăsați butonul START/RESET. În acest moment nu puteți utiliza funcția ANTIPATĂ.	3, 4, 6, 7, 8, 9, Clătiri.

Detergenți și rufe albe

RO

Sertarul detergenților

Un rezultat bun la spălare depinde și de dozarea corectă a detergentului: cu un exces de detergent nu se spală mai eficient, ci se contribuie la în crustarea părților interne ale mașinii de spălat și poluarea mediului înconjurător.



Extrageți sertarul pentru detergenți și introduceți detergentul sau aditivul, după cum urmează:

sertarul 1: Detergent pentru prespălare (sub formă de praf)

Înainte de a vărsa detergentul verificați ca sertarul adițional 4 să nu fie introdus.

sertarul 2: Detergent pentru spălare (sub formă de praf sau lichid)

Detergentul lichid trebuie vărsat doar înainte de pornire.

sertarul 3: Aditivi (soluție de înmuiat, etc.)

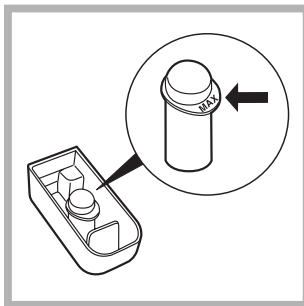
Soluția de înmuiat nu trebuie să depășească nivelul grătarului.

sertar adițional 4: Decolorant


! Nu folosiți detergenți pentru spălare manuală, deoarece formează prea multă spumă.

Program de albire

! Decolorantul **tradițional** se folosește pentru țesături rezistente albe, cel **delicat** pentru țesături colorate, sintetice și pentru lână.



Introduceți sertarul adițional 4, aflat în dotare în sertarul 1. Când dozați decolorantul nu depășiți nivelul „max” indicat pe pivotul central (a se vedea figura).

Pentru efectuarea doar a decolorării, vărsați decolorantul în sertarul adițional 4, selectați programul Clătire  și activați opțiunea Antipată (a se vedea pag. 19).

Pentru albirea pe durata spălării, vărsați detergentul și aditivii, selectați programul dorit și activați opțiunea Antipată (a se vedea pag. 19).

Folosirea sertarului adițional 4 exclude prespălarea.

Sortarea rufelor

- Subdivizați rufe în funcție de:
 - tipul de țesătură / simbolul de pe etichetă.
 - culori: separați rufe colorate de cele albe.
- Goliți buzunarele și controlați nasturii.
- Nu depășiți valorile indicate, referitoare la greutatea rufelor uscate:
 - Țesături rezistente: max 6 kg
 - Țesături sintetice: max 2,5 kg
 - Țesături delicate: max 2 kg
 - Lână: max 1,5 kg

Cât cântăresc rufe?

- 1 cearcef: 400-500 g.
- 1 față de pernă: 150-200 g.
- 1 față de masă: 400-500 g.
- 1 halat de baie: 900-1200 g.
- 1 prosop: 150-250 g.

Rufe deosebite

Perdele: împăturiți-le și așezați-le într-o față de pernă sau într-un sac de tip plasă. Spălați-le singure fără a depăși o jumătate din încărcătură. Folosiți programul 6 care exclude turația de centrifugare.

Plăpumi și haine de vânt: dacă căptușeala este din fulgi de gâscă sau de rață, se poate spăla în mașina de spălat doar câte un articol care să nu depășească o încărcătură maximă de 2-3 kg, repetând clătirea o dată sau de două ori și utilizând o turație de centrifugare delicată.

Lână: pentru a obține cele mai bune rezultate, folosiți un detergent specific și nu depășiți 1,5 kg de rufe.

! Mașina de spălat a fost proiectată și construită conform normelor internaționale de protecție. Aceste avertizări sunt furnizate din motive de siguranță și trebuie să fie citite cu atenție.

Protecție generală

- Acest aparat a fost conceput pentru o folosire de uz casnic, nu profesională, iar funcțiile sale nu trebuie alterate.
- Mașina de spălat trebuie să fie folosită doar de persoane adulte și respectând instrucțiunile din acest manual.
- Nu atingeți mașina când sunteți desculți sau cu mâinile sau picioarele ude sau umede.
- Nu scoateți ștecherul din priza de curent trăgând de cablu, ci trăgând de ștecher.
- Nu deschideți sertarul detergentilor în timp ce mașina se află în funcțiune.
- Nu atingeți apa provenită din evacuare, care poate atinge temperaturi ridicate.
- Nu forțați în nici un caz hubloul: s-ar putea deteriora mecanismul de siguranță care împiedică deschiderile accidentale.
- În cazul defecțiunilor, nu interveniți în nici un caz în mecanismele interne pentru a încerca să reparați mașina de spălat.
- Controlați mereu ca în apropierea mașinii aflate în funcțiune să nu se afle copii.
- Pe durata spălării hubloul are tendința de a se încălzi.
- Dacă mașina trebuie să fie deplasată, faceți acest lucru în două sau trei persoane, cu maximă atenție. Niciodată nu deplasați mașina singuri deoarece aceasta este foarte grea.
- Înainte de a introduce rufe, controlați ca în interior să fie goală.

Aruncarea reziduurilor

- Aruncarea materialelor de ambalare: respectați normele locale, în acest fel ambalajele vor putea fi reutilizate.
- Directiva Europeană 2002/96/CE cu privire la deșeurile care provin de la aparatura electrică sau electronică prevede ca aparatele electrocasnice să nu fie colectate împreună cu deșeurile urbane solide, obișnuite. Aparatele scoase din uz trebuie să fie colectate separat atât pentru a optimiza rata de recuperare și de reciclare a materialelor componente cât și pentru a evita pericolele care pot duce la dăunarea sănătății omului sau poluarea mediului înconjurător. Simbolul toberonului tăiat care

apare pe toate produsele vă amintește tocmai obligația de a le colecta separat.

Pentru informații suplimentare cu privire la scoaterea din uz a electrocasnicelor, deținătorii acestora pot apela la centrele de colectare a deșeurilor sau la vânzătorii de la care au achiziționat produsele respective.

Protecția și respectarea mediului înconjurător

Tehnologia la dispoziția mediului înconjurător

Dacă prin hubloul se vede puțină apă este pentru că, datorită noii tehnologii Indesit, este suficientă mai puțin de jumătate din apă pentru a obține o curățare maximă: un scop atins pentru respectarea mediului înconjurător.

Economisirea de detergent, apă, energie și timp

- Pentru a economisi detergent, apă, timp folosiți încărcătura maximă.
O încărcare totală în locul a două jumătăți, permite economisirea de până la 50% energie electrică.
- Prespălarea este necesară doar pentru rufe foarte murdare. Evitarea acesteia permite economisirea de detergent, timp, apă și între 5 și 15% energie electrică.
- Tratând petele cu o substanță pentru îndepărtarea acestora și lăsându-le la înmuiat înainte se spălare, se reduce necesitatea de a spăla la temperaturi mari. Un program la 60°C în locul unui la 90°C sau unul la 40°C în locul unui la 60°C, permit economisirea de până la 50% energie electrică.
- Dozați bine detergentul în funcție de duritatea apei, de gradul de murdărie și de cantitatea de rufe, pentru a evita risipe și pentru a proteja mediul înconjurător: deși sunt biodegradabili, detergentii conțin elemente care alterează echilibrul naturii. Mai mult, evitați pe cât posibil aditivul de înmuiere.
- Efectuând spălări începând de seara și până la primele ore ale dimineții, se colaborează pentru reducerea sarcinii de absorbire a întreprinderilor electrice. Opțiunea Delay Timer (*a se vedea pag. 19*) contribuie la organizarea spălărilor în acest sens.
- Dacă rufe trebuie uscate într-un uscător, selectați o turație mare de centrifugare. Cantitatea redusă de apă permite economisirea de timp și energie electrică la programul de uscare.

Întreținere și îngrijire

RO

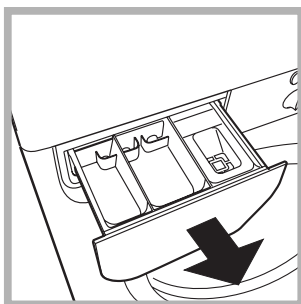
Oprirea apei și a curentului electric

- Închideți robinetul de apă după fiecare spălare. Se limitează astfel uzarea instalației hidraulice a mașinii de spălat și se elimină pericolul scurgerilor.
- Scoateți ștecherul din priza de curent atunci când curățați mașina de spălat și când se efectuează lucrări de întreținere.

Curățarea mașinii de spălat

Partea externă și părțile din cauciuc pot fi curățate cu o cârpă înmuiată în apă caldă și săpun. Nu folosiți solvenți sau substanțe abrazive.

Curățarea sertarului pentru detergenți



Scoateți sertarul ridicându-l și trăgându-l spre exterior (a se vedea figura): Spălați-l cu apă; această curățare trebuie efectuată frecvent.

Îngrijirea hubloului și a cuvei

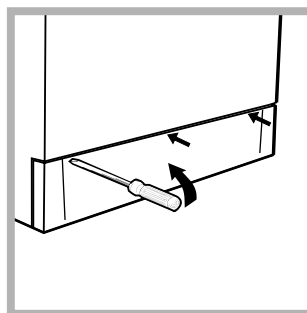
- Lăsați mereu hubloul întredeschis pentru a evita formarea mirosurilor neplăcute.

Curățarea pompei

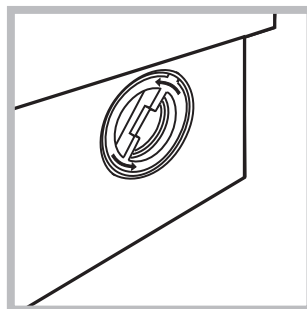
Mașina de spălat este echipată cu o pompă autocurățătoare care nu necesită întreținere. Se poate întâmpla însă ca obiecte mici (monede, nasturi) să cadă în precamera care protejează pompa, situată în partea inferioară a acesteia.

! Verificați ca programul de spălare să se fii încheiat și scoateți din priză.

Pentru a avea acces la precameră, procedați astfel:



1. scoateți panoul de acoperire de pe latura anterioară a mașinii de spălat folosindu-vă de o șurubelniță (a se vedea figura);



2. deșurubați capacul rotindu-l în sens invers (a se vedea figura): este normal să curgă puțină apă;

3. curățați cu grijă interiorul;
4. montați din nou capacul;
5. montați din nou panoul verificând, înainte de a-l împinge spre mașină, de a fi introdus cârligele în orificiile respective.

Controlarea furtunului de alimentare cu apă

Controlați furtunul de alimentare cel puțin o dată pe an. Dacă prezintă crăpături sau fisuri trebuie înlocuit: pe parcursul spălărilor, presiunile puternice ar putea provoca crăpături neașteptate.

! Nu folosiți furtunuri deja folosite.

Se poate întâmpla ca mașina de spălat să nu funcționeze. Înainte de a telefona la Asistență (a se vedea pag. 24), verificați dacă această problemă nu poate fi remediată de dvs., astfel:

Anomalii:

Mașina de spălat nu pornește.

Programul de spălare nu poate fi activat.

Mașina de spălat nu încarcă apă (Pe display este vizualizat scris H₂O).

Mașina de spălat încarcă și evacuează apă încontinuu.

Mașina de spălat nu evacuează sau nu stoarce.

Mașina de spălat vibrează foarte mult pe parcursul turăției de centrifugare.

Mașina de spălat pierde apă.

În caz de anomalie apare un cod de eroare, de exemplu: F-01.

Se formează prea multă spumă.

Cauze posibile / Rezolvare:

- Ștecherul nu este introdus sau nu a fost suficient introdus în priză de curent astfel încât să existe conexiune electrică.
- În casă nu este curent electric.
- Hubloul nu este bine închis (pe display se vizualizează scris DOOR).
- Butonul (I) nu a fost apăsat.
- Butonul START/RESET nu a fost apăsat.
- Robinetul de apă nu este deschis.
- A fost fixată o întârziere de pornire (Delay Timer, a se vedea pag. 19).
- Furtunul de alimentare cu apă nu este conectat la robinet.
- Furtunul este îndoit.
- Robinetul de apă nu este deschis.
- În casă lipsește apa.
- Nu este presiune suficientă.
- Butonul START/RESET nu a fost apăsat.
- Furtunul de evacuare nu a fost instalat la o distanță cuprinsă între 65 și 100 cm de pământ (a se vedea pag. 15).
- Extremitatea furtunului de evacuare este cufundată în apă (a se vedea pag. 15).

Dacă după aceste verificări problema nu se rezolvă, închideți robinetul de apă, opriți mașina de spălat și chemați Asistența. Dacă locuința se află la ultimele etaje ale unui edificiu, este posibil să aibă loc fenomene de sifonare, motiv pentru care mașina de spălat încarcă și evacuează apă încontinuu. Pentru a elimina acest inconvenient, se găsesc în comerț supape anti-sifonare.

- Programul nu prevede evacuarea apei: cu unele programe este necesar să se pornească manual (a se vedea pag. 18).
- Este activă opțiunea "Calcă mai ușor": pentru a completa programul, apăsați butonul START/RESET (a se vedea pag. 19).
- Furtunul de evacuare este îndoit (a se vedea pag. 15).
- Conducta de evacuare este înfundată.

- Cuva, în momentul instalării, nu a fost deblocată în mod corect (a se vedea pag. 14).
- Mașina de spălat nu este poziționată orizontal (a se vedea pag. 14).
- Mașina de spălat este fixată foarte puternic între mobilă și zid (a se vedea pag. 14).

- Furtunul de alimentare cu apă nu este bine înșurubat (a se vedea pag. 14).
- Sertarul detergenților este înfundat (pentru a-l curăța, a se vedea pag. 22).
- Furtunul de evacuare nu este bine fixat (a se vedea pag. 15).

- Opriți mașina și scoateți ștecherul din priză; așteptați aprox. 1 minut înainte de a o reporni. Dacă nu obțineți nici un rezultat, apălați la Centrul de Service pentru asistență.

- Detergentul nu este specific pentru mașina de spălat (trebuie să fie scris „pentru mașina de spălat”, „de mână sau în mașina de spălat”, sau ceva asemănător).
- Dozajul a fost excesiv.

Asistență

RO

Înainte de a lua legătura cu Asistența:

- Verificați dacă anomalia poate fi remediată de dvs. (*a se vedea pag. 23*);
- Porniți din nou programul pentru a controla dacă inconvenientul a fost eliminat;
- În caz contrar, vă recomandăm să apelați la Unitatea de Service.

! Nu apelați niciodată la tehnicieni neautorizați.

Comunicați:

- tipul de anomalie;
- modelul mașinii (Mod.);
- numărul de serie (S/N).

Aceste informații se află pe eticheta autocolantă aplicată în partea din spate a mașinii de spălat.

DE**Deutsch****WIXE 127**

INHALTSVERZEICHNIS

Installation, 26-27

Auspacken und Aufstellen
Wasser- und Elektroanschlüsse
Erster Waschgang
Technische Daten

Beschreibung des Waschvollautomaten, 28-29

Schalterblende
Display
Programm "MEMO"

Inbetriebnahme und Programme, 30

Kurz zusammengefasst: Waschprogramm starten
Programmtabelle

Individualisierungen, 31

Einstellen der Schleuder
Einstellung der Startvorwahl
Einstellen der Temperatur
Funktionen

Waschmittel und Wäsche, 32

Waschmittelschublade
Bleichen
Vorsortieren der Wäsche
Besondere Wäscheteile

Vorsichtsmaßnahmen und Hinweise, 33

Allgemeine Sicherheit
Entsorgung
Energie sparen und Umwelt schonen

Reinigung und Pflege, 34

Wasser- und Stromversorgung abstellen
Reinigung des Gerätes
Reinigung der Waschmittelschublade
Pflege der Gerätetür und Trommel
Reinigung der Pumpe
Kontrolle des Wasserzulaufschlauchs

Störungen und Abhilfe, 35

Kundendienst, 36

Bevor Sie sich an den Kundendienst wenden

Installation

DE

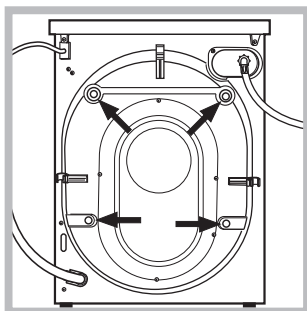
! Es ist äußerst wichtig, diese Bedienungsanleitung sorgfältig aufzubewahren, um sie jederzeit zu Rate ziehen zu können. Sorgen Sie dafür, dass sie im Falle eines Umzugs oder Übergabe an einen anderen Benutzer das Gerät stets begleitet, damit auch der neue Inhaber die Möglichkeit hat, diese zu Rate zu ziehen.

! Lesen Sie bitte folgende Hinweise aufmerksam durch, sie liefern wichtige Informationen hinsichtlich der Installation, dem Gebrauch und der Sicherheit.

Auspacken und Aufstellen

Auspacken

1. Gerät auspacken.
2. Sicherstellen, dass der Waschvollautomat keine Transportschäden erlitten hat. Im Falle einer Beschädigung Gerät bitte nicht anschließen, sondern den Kundendienst anfordern.



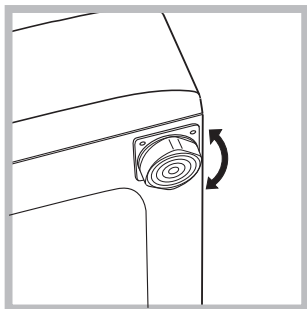
3. Die 4 Transportschutzschrauben ausschrauben und das an der Rückwand befindliche Gummiteil nebst entsprechendem Distanzstück abnehmen (siehe Abbildung).

4. Die Löcher mittels der mitgelieferten Kunststoffstöpsel schließen.
5. Sämtliche Teile aufbewahren: Sollte der Waschvollautomat erneut transportiert werden müssen, müssen diese Teile wieder eingesetzt werden.

! Verpackungsmaterial ist kein Spielzeug für Kinder

Standfläche

1. Der Waschvollautomat muss auf einem ebenen, festen Untergrund aufgestellt werden, ohne ihn an Wände, Möbelteile oder ähnliches anzulehnen.

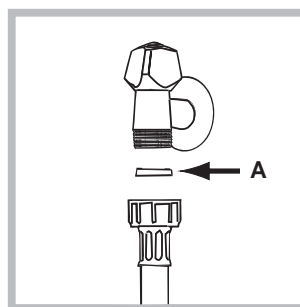


2. Sollte der Boden nicht perfekt eben sein, müssen die Unebenheiten durch An- bzw. Ausdrehen der vorderen Stellfüße ausgeglichen werden (siehe Abbildung), der auf der Arbeitsfläche zu ermittelnde Neigungsgrad darf 2° nicht überschreiten.

Eine präzise Nivellierung verleiht dem Gerät die erforderliche Stabilität, durch die Vibrationen, Betriebsgeräusche und ein Verrücken des Gerätes vermieden werden. Bei Teppichböden müssen die Stellfüße so reguliert werden, dass ein ausreichender Freiraum zur Belüftung unter dem Waschvollautomaten gewährleistet ist.

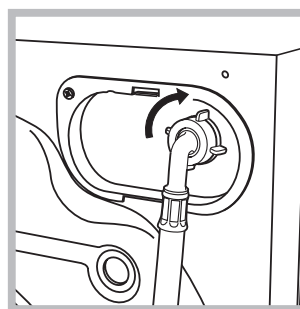
Wasser- und Elektroanschlüsse

Anschluss des Zulaufschlauches



1. Legen Sie die Gummidichtung A in das Anschlussstück des Zulaufschlauches ein und drehen Sie dieses an einen mit Gewindeanschluss von $\frac{3}{4}$ G versehenen Kaltwasserhahn (siehe Abbildung). Lassen Sie das Wasser

vor dem Anschluss so lange auslaufen, bis klares Wasser austritt.



2. Schließen Sie das andere Ende des Schlauches an den oben rechts am Rückteil des Waschvollautomaten befindlichen Wasseranschluss an (siehe Abbildung).

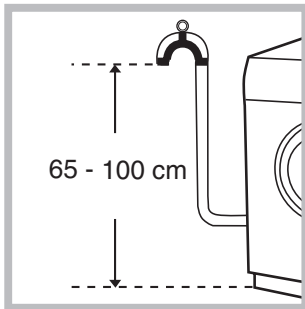
3. Der Schlauch darf hierbei nicht eingeklemmt oder abgeknickt werden.

! Der Wasserdruck muss innerhalb der Werte liegen, die in der Tabelle der Technischen Daten angegeben sind (siehe nebenstehende Seite).

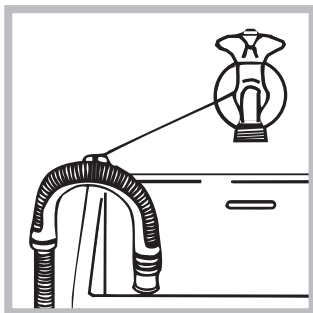
! Sollte der Zulaufschlauch nicht lang genug sein, dann wenden Sie sich bitte an einen Fachhändler oder an einen autorisierten Fachmann.

! Verwenden Sie niemals bereits gebrauchte Schläuche.

Anschluss des Ablaufschlauches



Schließen Sie den Ablaufschlauch, ohne ihn dabei zu krümmen, an eine Ablaufleitung, oder an einen in der Wand in einer Mindesthöhe von 65 - 100 cm angelegten Ablauf an;



oder hängen Sie ihn in ein Becken oder eine Wanne ein; befestigen Sie ihn in diesem Falle mittels der mitgelieferten Führung an dem Wasserhahn (siehe *Abbildung*). Das freie Ablaufschlauchende darf nicht unter Wasser bleiben.

! Verlängerungsschläuche sollten nicht eingesetzt werden, sollte dies jedoch absolut unvermeidlich sein, muss die Verlängerung denselben Durchmesser des Originalschlauchs aufweisen und 150 cm nicht überschreiten.

Elektronanschluss

Vor Einfügen des Steckers in die Steckdose ist sicherzustellen, dass:

- die Steckdose über eine normgerechte Erdung verfügt;
- die Steckdose die in nebenstehender Datentabelle angegebene Höchstlast des Gerätes trägt;
- die Stromspannung den in nebenstehender Datentabelle aufgeführten Werten entspricht;
- der Stecker in die Steckdose passt. Andernfalls muss der Stecker (oder die Steckdose) ersetzt werden.

! Der Waschvollautomat darf nicht im Freien installiert werden, auch nicht, wenn es sich um einen geschützten Platz handelt. Es ist gefährlich, Ihren Vollwaschautomaten Gewittern und Unwettern auszusetzen.

! Die Steckdose sollte nach installiertem Gerät leicht zugänglich sein.

! Verwenden Sie bitte keine Verlängerungen oder Mehrfachstecker.

! Das Kabel darf nicht gebogen bzw. eingeklemmt werden.


! Das Versorgungskabel darf nur durch autorisierte Fachkräfte ausgetauscht werden.

Achtung! Der Hersteller weist jede Haftung zurück, falls diese Vorschriften nicht eingehalten werden sollten.

Erster Waschgang

Lassen Sie nach der Installation bzw. vor erstmaligem Gebrauch erst einen Waschgang (mit Waschmittel) ohne Wäsche durchlaufen. Stellen Sie hierzu das 90°C-Waschprogramm ohne Vorwäsche ein.

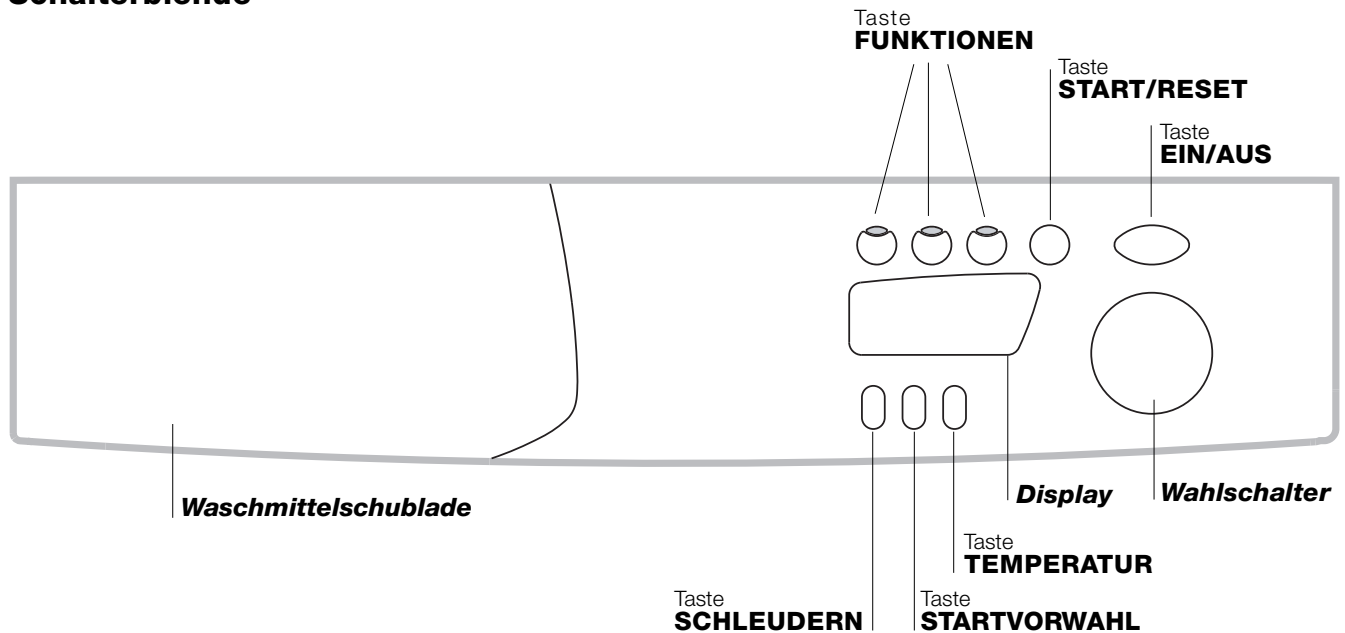
Technische Daten

Modell	WIXE 127
Abmessungen	Breite 59,5 cm Höhe 85 cm Tiefe 53,5 cm
Fassungsvermögen	1 bis 6 kg
Elektroanschlüsse	siehe das am Gerät befindliche Typenschild
Wasseranschlüsse	Höchstdruck 1 MPa (10 bar) Minstdruck 0,05 MPa (0,5 bar) Trommelvolumen 52 Liter
Schleudertouren	bis zu 1200 U/min.
Prüfprogramme gemäß EN 60456	Programm 2; Temperatur 60°C; bei einer Lademenge von 6 kg.
	Dieses Gerät entspricht den folgenden EG-Richtlinien: - 89/336/EWG vom 03.05.89 (elektromagnetische Verträglichkeit) und nachfolgenden Änderungen - 2002/96/CE - 2006/95/CE (Niederspannung)

Beschreibung des Waschvollautomaten

Schalterblende

DE



Waschmittelschublade für Waschmittel und Zusätze (siehe Seite 32).

Taste **"SCHLEUDERN"** zur Geschwindigkeitsregelung oder gänzlichen Ausschaltung der Schleuder (siehe Seite 31).

Taste **STARTVORWAHL**: Mit dieser Taste kann der Start des eingestellten Programms um bis zu 24 Std. verzögert werden (siehe Seite 31).

Taste **"TEMPERATUR"** zur Änderung der Waschttemperaturen (siehe Seite 31).

Display zur Programmierung des Waschvollautomaten und Ansicht des Programmablaufs (siehe nebenstehende Seite).

Tasten **FUNKTIONEN**: Zur Einstellung der verfügbaren Funktionen. Die gewählte Einstellung der entsprechenden Funktionstaste bleibt eingeschaltet. (sie leuchtet).

Taste **"START/RESET"** um die Programme zu starten bzw. zu löschen, falls unkorrekt eingestellt.

Taste **"EIN/AUS"** zur Ein- und Ausschaltung des Waschvollautomaten

Wahlschalter zur Programmwahl. Während des Programmablaufs bleibt der Schalter feststehend.

Anmerkungen: Um zu starke Vibrationen, bzw. eine Unwucht beim Schleudern, zu vermeiden, sorgt das Gerät für eine gleichmäßige Verteilung der Wäscheladung durch eine laufende Rotation der Trommel bei einer etwas höheren Geschwindigkeit, als die des Waschgangs.

Sollte es trotz mehrerer Versuche nicht gelingen, die Wäscheladung gleichmäßig zu verteilen, schleudert das Gerät die Wäsche bei reduzierter Schleudergeschwindigkeit.

Display

DE

Das Display dient nicht nur der praktischen Programmierung des Gerätes (*siehe Seite 31*), es liefert auch Informationen über den Waschzyklus.



Nach Drücken der Taste START/RESET, durch das das Waschprogramm in Gang gesetzt wird, wird auf dem Display die bis zum Ende des Waschganges noch verbleibende Zeit angezeigt. Sollte ein zeitverschobener Start eingestellt worden sein (Startvorwahl, *siehe Seite 31*), dann wird dies auf dem Display angezeigt.

Füllfenstersicherung:


Durch Leuchten des Symbols meldet das Gerät, dass das Füllfenster gesperrt ist, um ein versehentliches Öffnen zu vermeiden. Warten Sie bitten, bis das Symbol erlischt, um eine evtl. Beschädigung des Fensters zu vermeiden.


Nach Ablauf des gesamten Waschprogramms erscheint die Anzeige END.

! Im Falle eventueller Anomalien wird ein Fehlercode eingeblendet, wie zum Beispiel: F-01, (*siehe Seite 35*).

Programm "MEMO"

Mittels dieses Programms können die bevorzugten oder am häufigsten eingestellten Waschprogramme gespeichert werden.

Stellen Sie ganz einfach das gewünschte Programm ein, starten Sie dieses und drehen Sie daraufhin den WAHLSCHALTER auf Position . Der Waschzyklus wird automatisch gespeichert und auf dem Display wird für einige Sekunden die Blinkanzeige "MEMO" eingeblendet.


Nachfolgend kann der "MEMO"-Waschzyklus durch Drehen des WAHLSCHALTER auf Position  einfach und schnell gestartet werden. Die Werte für Temperatur, Schleuderdrehzahl sowie Startvorwahl können durch drücken der entsprechenden Tasten abgefragt werden. Es besteht auch die Möglichkeit, diese Werte zu ändern. Diese Änderung bezieht sich nur auf das laufende Programm und beeinflusst nicht den gespeicherten "MEMO - Zyklus".


Soll ein neuer Waschzyklus gespeichert werden, sind die obigen Schritte zu wiederholen.

Inbetriebnahme und Programme





DE

Kurz zusammengefasst: Waschprogramm starten

1. Maschine durch Drücken der Taste  einschalten.
2. Wäsche einfüllen und Füllfenster schließen.
3. Das gewünschte Programm mittels des Wahlschalters einstellen. Auf dem Display wird die voraussichtliche Programmdauer angezeigt. Temperatur und Schleuder werden je nach gewähltem Programm automatisch eingestellt (evtl. Änderung *siehe Seite 31*).

4. Zusätzliche Funktionen (*siehe Seite 31*).
5. Waschmittel und Zusätze einfüllen (*siehe Seite 32*).
6. Programm durch Druck auf die Taste START/RESET in Gang setzen.
Um dieses zu löschen, Taste START/RESET für mindestens 2 Sekunden gedrückt halten.
7. Bei Programmabschluss erscheint die Anzeige END. Wäsche herausnehmen und Füllfenster leicht offenstehen lassen, damit die Trommel trocknen kann.
8. Maschine durch Drücken der Taste  ausschalten.

Programmtabelle

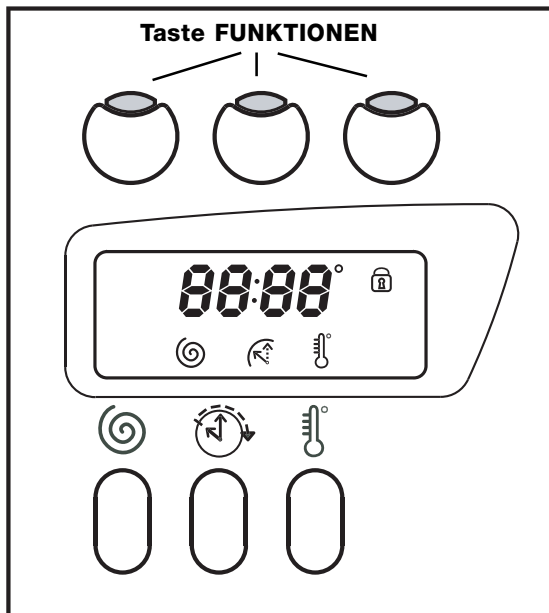
Gewebeart und Verschmutzungsgrad	Waschprogramm	Temperatur	Waschmittel		Weichspüler	Funktion Flecken/Bleichmittel	Programmdauer (Min.)	Beschreibung des Waschprogramms
			Vorw.	Hauptw.				
Standard								
Baumwolle: Stark verschmutzte Kochwäsche (Bettücher, Tischdecken usw.)	1	90°C	•	•	•		155	Vorwäsche, Hauptwäsche, Spülen, Zwischen- und Endschleudern
Baumwolle: Stark verschmutzte Kochwäsche (Bettücher, Tischdecken usw.)	2	90°C		•	•	Mild/Normal	150	Hauptwäsche, Spülen, Zwischen- und Endschleudern
Baumwolle: Weißwäsche und widerstandsfähige, stark verschmutzte Buntwäsche	2	60°C		•	•	Mild/Normal	140	Hauptwäsche, Spülen, Zwischen- und Endschleudern
Baumwolle: Weißwäsche und empfindliche, stark verschmutzte Buntwäsche	2	40°C		•	•	Mild/Normal	125	Hauptwäsche, Spülen, Zwischen- und Endschleudern
Baumwolle: Leicht verschmutzte Weißwäsche und empfindliche Buntwäsche (Oberhemden, Maschenware usw.)	3	40°C		•	•	Mild/Normal	85	Hauptwäsche, Spülen, Zwischen- und Endschleudern
Synthetik: Stark verschmutzte, farbechte Buntwäsche (Babywäsche usw.)	4	60°C		•	•	Mild	83	Hauptwäsche, Spülen, Knitterschutz oder sanftes Schleudern
Synthetik: Stark verschmutzte, farbechte Buntwäsche (Babywäsche usw.)	4	40°C		•	•	Mild	70	Hauptwäsche, Spülen, Knitterschutz oder sanftes Schleudern
Wolle	5	40°C		•	•		50	Hauptwäsche, Spülen und sanftes Schleudern
Sehr empfindliche Stoffe (Gardinen, Seide, Viskose, usw.)	6	30°C		•	•		45	Hauptwäsche, Spülen, Knitterschutz oder Abpumpen
Time 4 you								
Baumwolle: Weißwäsche und widerstandsfähige, stark verschmutzte Buntwäsche	7	60°C		•	•		60	Hauptwäsche, Spülen, Zwischen- und Endschleudern
Baumwolle: Leicht verschmutzte Weißwäsche und empfindliche Buntwäsche (Oberhemden, Maschenware usw.)	8	40°C		•	•		50	Hauptwäsche, Spülen, Zwischen- und Endschleudern
Synthetik: Empfindliche Buntwäsche (leicht verschmutzte Wäsche aller Art).	9	40°C		•	•		40	Hauptwäsche, Spülen und sanftes Schleudern
Synthetik: Empfindliche Buntwäsche (leicht verschmutzte Wäsche aller Art).	10	30°C		•	•		30	Hauptwäsche, Spülen und sanftes Schleudern
Sport								
Sportschuhe (MAX. 2 Paar)	11	30°C		•	•		50	Kaltwäsche (ohne Waschmittel), Hauptwäsche, Spülen und sanftes Schleudern
Stoffe für Sportbekleidung (Trainingsanzüge, Sporthosen usw.)	12	30°C		•	•		60	Hauptwäsche, Spülen, Zwischen- und Endschleudern
MEMO		Hiermit kann jede beliebige Art von Waschgang gespeichert werden (<i>siehe Seite 29</i>).						
TEILPROGRAMME								
Spülen					•	Mild/Normal		Spülen und Schleudern
Schleudern								Abpumpen und Schleudern
Abpumpen								Abpumpen

Anmerkungen

- Bei den Programmen 7 - 8 sollte eine Beladungsmenge von 3,5 kg nicht überschritten werden.
- Bei dem Programm 12 sollte eine Beladungsmenge von 2 kg nicht überschritten werden.
- Zum Knitterschutz: siehe "Bügelleicht", *auf nebenstehender Seite*. Bei den in der Tabelle aufgeführten Daten handelt es sich um Richtwerte.

Spezialprogramm

Schnelle Wäsche (Programm 10 für Kunstfasern) Kurzprogramm für die tägliche Wäsche leicht verschmutzter Teile: in nur 30 Minuten, zur Einsparung von Zeit und Energie. Stellen Sie dieses Waschprogramm (10 bei 30°C) ein, dann können, bei einer maximalen Lademenge von 3 kg, Gewebe unterschiedlicher Art (mit Ausnahme von Wolle und Seide) zusammen gewaschen werden. *Es ist ratsam, flüssiges Waschmittel einzusetzen.*



Einstellen der Schleuder

Befindet sich der WAHLSCHALTER bei Einschalten des Waschautomaten auf einer Position, bzw. einem Programm, das einen Schleudergang vorsieht, dann schaltet die Ikone auf Dauerlicht. Durch drücken der Taste wird die für das eingestellte Programm maximal zulässige Schleuderdrehzahl angezeigt und die Ikone schaltet auf Blinklicht. Durch erneutes drücken dieser Taste kann die Schleuderdrehzahl bis auf OFF (Schleuderstop), reduziert werden. (Drücken Sie die Taste erneut, schaltet die Schleuderdrehzahl wieder hoch.) Geben Sie die Taste frei, sobald die gewünschte Schleuderdrehzahl eingeblendet wird. Nach ca. 2 Sekunden wird diese gespeichert: Das Symbol schaltet auf Dauerlicht. Obiges gilt für alle Programme mit Ausnahme des Programms 6 und Abpumpen.

Einstellung der Startvorwahl

Drücken Sie die Taste , auf dem Display wird die Anzeige OFF eingeblendet und das entsprechende Symbol schaltet auf Blinklicht. Drücken Sie diese Taste erneut, erscheint die Anzeige "1h", das entspricht einer Zeitverzögerung des Programmstarts von einer Stunde. Durch mehrmaliges drücken dieser Taste kann eine Zeitverzögerung bis auf "24h" gewählt werden. Geben Sie die Taste frei, wenn die von Ihnen

gewünschte "Startvorwahl" eingeblendet wird; diese wird nach ca. 2 Sekunden gespeichert, auf dem Display wird die für das eingestellte Waschprogramm vorgesehene Zeit angezeigt. Das Symbol bleibt eingeschaltet.

Drücken Sie nun die Taste START - RESET. Die eingestellte "Startvorwahl" wird angezeigt. In dieser Phase kann die "Startvorwahl" nur noch durch eine Reduzierung der Zeit geändert werden. Die Einstellung der Startvorwahl ist bei allen Programmen möglich.

Einstellen der Temperatur

Befindet sich der WAHLSCHALTER beim Einschalten des Waschautomaten auf einer Position bzw. einem Programm, das die Einstellung einer Temperatur vorsieht, dann schaltet die Ikone auf Dauerlicht. Durch drücken der Taste wird die für das eingestellte Programm maximal zulässige Temperatur angezeigt und die Ikone schaltet auf Blinklicht. Durch erneutes drücken dieser Taste kann die Temperatur bis auf OFF (Kaltwäsche), reduziert werden. (Drücken Sie die Taste erneut, schaltet die Temperatur wieder hoch.) Geben Sie die Taste frei, sobald die gewünschte Temperatur eingeblendet wird. Nach ca. 2 Sekunden wird diese gespeichert: Das Symbol schaltet auf Dauerlicht. Obiges gilt für alle Waschprogramme.

Funktionen

Die verschiedenen Waschfunktionen, die Ihnen Ihr Waschvollautomat bietet, ermöglichen es Ihnen, hygienisch saubere und weiße Wäsche zu erhalten, die Ihren Wünschen entsprechen. Aktivierung der Funktionen:

1. Die Taste der gewünschten Funktion gemäss untenstehender Tabelle drücken;
2. Das Einschalten bzw. Aufleuchten der entsprechenden Taste zeigt an, dass die Funktion aktiviert wurde.

Anmerkung: Sollte die Taste jedoch auf Blinklicht schalten, bedeutet dies, dass die Funktion zu dem eingestellten Programm nicht zugeschaltet werden kann.

Wird eine Funktion eingestellt, die zu der bereits eingestellten nicht zugeschaltet werden kann, bleibt nur die zuletzt gewählte aktiv.

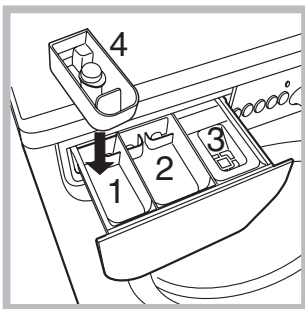
Funktionen	Wirkung	Anleitungen zur Anwendung	Aktiv mit den Programmen:
 Flecken	Bleichzyklus, zur Entfernung auch hartnäckigster Flecken.	Vergessen Sie nicht, dass das Bleichmittel in die Zusatzkammer 4 eingegeben werden muss (<i>siehe Seite 32</i>). Nicht mit der Funktion BÜGELLEICHT zu kombinieren.	2, 3, 4, Spülen.
 Extra spülen	Erhöht die Wirksamkeit des Spülgangs.	Empfehlenswert bei voller Gerätebeladung und hoher Waschmitteldosierung.	1, 2, 3, 4, 7, 8, 9, 11, 12, Spülen.
 Bügelleicht	Reduziert die Knitterbildung und erleichtert so das Bügeln.	Wird diese Funktion gewählt, wird der Spülzyklus bei den Programmen 4, 6 unterbrochen (Knitterschutz), die Wäsche bleibt im letzten Spülgang stehen. - zur Beendigung des Spülablaufes drücken Sie die Taste START/RESET oder die Taste BÜGELLEICHT; - nur das Wasser abpumpen: Knopf auf das entsprechende Symbol drehen und die Taste START/RESET drücken. Nicht mit der Funktion FLECKEN zu kombinieren.	3, 4, 6, 7, 8, 9, Spülen.

Waschmittel und Wäsche

DE

Waschmittelschublade

Ein gutes Waschergebnis hängt auch von einer korrekten Waschmitteldosierung ab: Eine zu hohe Dosierung bedeutet nicht unbedingt reinere Wäsche, sie trägt nur dazu bei, die Maschineninnenteile zu verkrusten und die Umwelt zu belasten.



Schublade herausziehen und Waschmittel oder Zusätze wie folgt einfüllen:

In Kammer 1: Waschpulver für die Vorwäsche (kein Flüssigwaschmittel)

Vergewissern Sie sich vor Einfüllen des Waschmittels, dass die Zusatzkammer 4 nicht eingesetzt wurde.

In Kammer 2: Waschmittel für die Hauptwäsche (Waschpulver oder Flüssigwaschmittel)

Flüssigwaschmittel nur kurz vor dem Start einfüllen.

In Kammer 3: Zusätze (Weichspüler usw.)

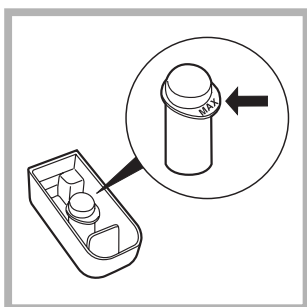
Der Weichspüler darf das Gitter nicht übersteigen.

Zusätzliche Kammer 4: Bleichmittel


! Verwenden Sie keine Handwaschmittel, sie verursachen eine zu hohe Schaumbildung.

Bleichen

! **Normale** Bleichmittel sind für strapazierfähige Weißwäsche zu verwenden, **milde** Bleichmittel dagegen für Buntwäsche, Feinwäsche und Wolle.



Mitgelieferte, zusätzliche Kammer 4 in Kammer 1 einsetzen. Bei der Dosierung des Bleichmittels darf der auf dem Zentralspindel mit "max" gekennzeichnete Höchststand (siehe Abbildung) nicht überschritten werden.

Soll nur ein Bleichzyklus allein durchgeführt werden, dann geben Sie das Bleichmittel in die zusätzliche Kammer 4, stellen Sie die Funktion Spülen  und schalten die Funktion Flecken hinzu (siehe Seite 31). Um während des Waschganges zu bleichen, geben Sie das Waschmittel und die Zusätze ein; wählen das gewünschte Programm und schalten die Funktion Flecken hinzu (siehe Seite 31).

Die Verwendung der zusätzlichen Kammer 4 schließt die Vorwäsche aus.

Vorsortieren der Wäsche

- Sortieren Sie die Wäsche nach:
 - Gewebeat / Waschetikettensymbol
 - und Farben: Buntwäsche von Weißwäsche trennen.
- Entleeren Sie alle Taschen.
- Das angegebene Gewicht, das sich auf die maximale Ladung an Trockenwäsche bezieht, sollte nicht überschritten werden:
 - Widerstandsfähige Gewebe: max 6 kg
 - Kunstfasergewebe: max 2,5 kg
 - Feinwäsche: max 2 kg
 - Wolle: max 1,5 kg

Wie schwer ist Wäsche?

- 1 Bettuch 400-500 gr
- 1 Kissenbezug 150-200 gr
- 1 Tischdecke 400-500 gr
- 1 Bademantel 900-1.200 gr
- 1 Handtuch 150-250 gr

Besondere Wäscheteile

Gardinen: Gardinen zusammengefaltet in einem Kissenbezug oder in einem netzartigen Beutel waschen. Waschen Sie diese allein, ohne das Gesamtgewicht für halbe Füllung zu übersteigen. Stellen Sie das Programm 6 ein, das ein automatisches Ausschließen der Schleuder vorsieht.

Skijacken und Anoraks: Sind diese mit Gänse- oder Daunenfedern gefüllt, können sie im Waschvollautomaten gewaschen werden. Ziehen Sie die Teile auf links, achten Sie auf eine maximale Beladung von 2/3 kg, wiederholen Sie 2/3 Spülgänge und stellen Sie die Schleuder auf Schonschleudern ein.

Wolle: Verwenden Sie Spezialwaschmittel; Lademenge von 1,5 kg bitte nicht überziehen.

! Der Waschvollautomat wurde nach den strengsten internationalen Sicherheitsvorschriften entworfen und gebaut. Nachstehende Hinweise werden aus Sicherheitsgründen geliefert und sollten aufmerksam gelesen werden.

Allgemeine Sicherheit

- Dieses Gerät wurde für den nicht professionellen Einsatz im privaten Haushalt konzipiert und seine Funktionen dürfen nicht verändert werden.
- Der Waschvollautomat darf nur von Erwachsenen und gemäß den Anleitungen dieses Handbuchs bedient werden.
- Berühren Sie das Gerät nicht, wenn Sie barfuß sind, und auch nicht mit nassen oder feuchten Händen oder Füßen.
- Ziehen Sie den Gerätestecker nicht am Kabel aus der Steckdose, sondern nur am Stecker selbst.
- Öffnen Sie die Waschmittelschublade nicht, wenn das Gerät in Betrieb ist.
- Berühren Sie nicht das Ablaufwasser, es kann sehr heiß sein.
- Öffnen Sie das Füllfenster nicht mit Gewalt: Der Sicherheits-Schließmechanismus könnte hierdurch beschädigt werden.
- Bei etwaigen Störungen versuchen Sie bitte nicht, Innenteile selbst zu reparieren.
- Halten Sie Kinder stets von dem in Betrieb befindlichen Gerät fern.
- Während des Waschgangs kann das Füllfenster sehr heiß werden.
- Muss der Waschvollautomat versetzt werden, sollten hierfür mindestens 2/3 Personen verfügbar sein. (Vorsichtig vorgehen). Versuchen Sie es niemals allein, das Gerät ist äußerst schwer.
- Vergewissern Sie sich, dass die Trommel völlig leer ist, bevor Sie die Wäsche einfüllen.

Entsorgung

- Entsorgung des Verpackungsmaterials: Befolgen Sie die lokalen Vorschriften, Verpackungsmaterial kann wiederverwertet werden.
- Gemäß der Europäischen Richtlinie 2002/96/EC über Elektro- und Elektronik-Altgeräte dürfen Elektrohaushalts-Altgeräte nicht über den herkömmlichen Haushaltsmüllkreislauf entsorgt werden. Altgeräte müssen separat gesammelt werden, um die Wiederverwertung und das Recycling der beinhaltenen Materialien zu optimieren und die Einflüsse auf die Umwelt und die Gesundheit zu reduzieren. Das Symbol „durchgestrichene Mülltonne“ auf jedem Produkt erinnert Sie an Ihre Verpflichtung, dass Elektrohaushaltsgeräte gesondert entsorgt werden müssen.

Endverbraucher können sich an Abfallämter der Gemeinden wenden, um mehr Informationen über die korrekte Entsorgung ihrer Elektrohaushaltsgeräte zu erhalten.

Energie sparen und Umwelt schonen

Technologie im Dienste der Umwelt

Glauben Sie, durch das Füllfenster hindurch wenig Wasser zu sehen? Dank der neuen Indesit-Technik genügt die halbe Wassermenge für eine maximale Sauberkeit: eine Maßnahme die zum Schutze der Umwelt angestrebt wurde.

Waschmittel, Wasser, Energie und Zeit sparen

- Verschwendung von Strom, Wasser, Waschmittel und Zeit kann man vermeiden, indem man die Waschmaschine mit der empfohlenen Höchstwäschemenge benutzt. Bei einer vollen Auslastung Ihres Waschvollautomaten können Sie bis zu 50% Energie sparen.
- Vorwäsche ist nur bei stark verschmutzter Wäsche erforderlich. Durch Vermeidung einer solchen kann Waschmittel, Zeit, Wasser und 5-15% Energie gespart werden.
- Flecken sollten mit einem Fleckenmittel vorbehandelt werden, oder weichen Sie die Wäsche vor der Wäsche ein. Hierdurch können hohe Waschttemperaturen vermieden werden. Ein 60°C-Programm anstelle eines 90°C-Programms, oder ein 40°C-Programm anstelle eines 60°C-Programms hilft bis zu 50% Energie zu sparen.
- Dosieren Sie Waschmittel sparsam je nach Wasserhärte, Verschmutzungsgrad und Wäschemenge, um die Umwelt nicht über Gebühr zu belasten: obwohl sie biologisch abbaubar sind, beinhalten Sie dennoch Stoffe, die die Umwelt belasten. Auch Weichmacher sollten höchst sparsam eingesetzt werden.
- Waschen Sie am späten Nachmittag oder in den ersten Morgenstunden, hierdurch tragen sie dazu bei, die Belastung der Elektrizitätswerke zu mindern. Die Funktion ‚Startvorwahl‘ (siehe Seite 31) hilft Ihnen in dieser Hinsicht außerordentlich.
- Soll die Wäsche in einem Wäschetrockner getrocknet werden, dann stellen Sie eine hohe Schleudergeschwindigkeit ein. Je trockener die Wäsche geschleudert wird, desto niedriger ist der zum Trocknen erforderliche Energieverbrauch.

Reinigung und Pflege

DE

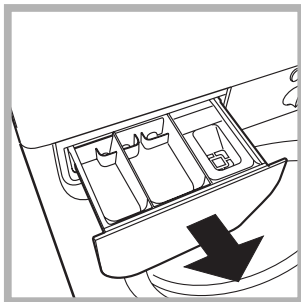
Wasser- und Stromversorgung abstellen

- Wasserhahn nach jedem Waschvorgang zudrehen. Hierdurch wird der Verschleiß der Wasseranlage verringert und Wasserlecks vorgebeugt.
- Ziehen Sie den Stecker aus der Steckdose, bevor Sie Ihren Waschvollautomaten reinigen.

Reinigung des Gerätes

Die Gehäuseteile und die Teile aus Gummi können mit einem mit warmer Spülmittellauge angefeuchteten Tuch gereinigt werden. Vermeiden Sie Löse- und Scheuermittel.

Reinigung der Waschmittelschublade



Heben Sie die Schublade leicht an und ziehen Sie sie nach vorne hin heraus (siehe Abbildung). Spülen Sie diese regelmäßig unter fließendem Wasser gründlich aus.

Pflege der Gerätetür und Trommel

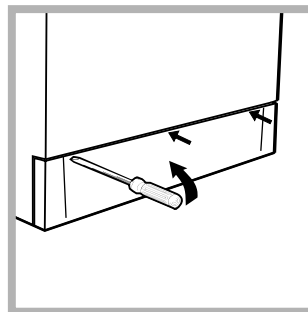
- Lassen Sie die Füllfenstertür stets leicht offen stehen, um die Bildung unangenehmer Gerüche zu vermeiden.

Reinigung der Pumpe

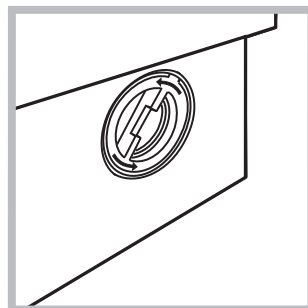
Ihr Gerät ist mit einer selbstreinigenden Pumpe ausgerüstet, eine Wartung ist demnach nicht erforderlich. Es könnte doch einmal vorkommen, dass kleine Gegenstände (Münzen, Knöpfe) in die zum Schutz der Pumpe dienende Vorkammer (befindlich unter der Pumpe) fallen. ! Vergewissern Sie sich, dass der Waschgang abgeschlossen ist und ziehen Sie den Stecker heraus.

! Vergewissern Sie sich, dass der Waschgang abgeschlossen ist und ziehen Sie den Stecker heraus.

Zugang zur Vorkammer:



1. Die Abdeckung (befindlich an der Gerätefront) mit Hilfe eines Schraubenziehers abnehmen (siehe Abbildung);



2. den Deckel gegen den Uhrzeigersinn abdrehen (siehe Abbildung): es ist ganz normal, wenn etwas Wasser austritt;

3. das Innere gründlich reinigen;
4. den Deckel wieder aufschrauben;
5. die Abdeckung wieder anbringen. Stellen Sie hierbei sicher, dass die Haken in die Schlitze eingreifen, bevor Sie die Abdeckung fest andrücken.

Kontrolle des Wasserzulaufschlauchs

Kontrollieren Sie den Zulaufschlauch mindestens einmal im Jahr. Weist er Risse bzw. Brüche auf, muss er ausgetauscht werden. Der starke Druck während des Waschprogramms könnte zu plötzlichem Platzen führen.

! Verwenden Sie niemals bereits gebrauchte Schläuche.

Es kann immer einmal vorkommen, dass Ihr Waschvollautomat nicht funktioniert. Bevor Sie sich an den Technischen Kundendienst wenden (*siehe Seite 36*), vergewissern Sie sich zuerst, ob es sich nicht um eine Kleinigkeit handelt, die Sie selbst beheben können. Ziehen Sie hierzu nachstehendes Verzeichnis zu Rate.

Störungen:

Der Waschvollautomat schaltet sich nicht ein.

Der Waschgang startet nicht.

Der Waschvollautomat lädt kein Wasser (Auf dem Display ist die Anzeige H₂O eingeblendet).

Der Waschvollautomat lädt laufend Wasser und pumpt es laufend ab.

Der Waschvollautomat pumpt nicht ab und schleudert nicht.


Der Waschvollautomat vibriert zu stark während des Schleuderns.

Der Waschvollautomat ist undicht.

Im Falle eventueller Anomalien wird ein Fehlercode eingeblendet, wie zum Beispiel: F-01.

Es bildet sich zu viel Schaum.

Mögliche Ursachen / Lösungen:

- Der Stecker steckt nicht in der Steckdose, oder nicht so, dass der Kontakt hergestellt wird.
- Der Strom ist ausgefallen.
- Das Füllfenster ist nicht richtig geschlossen (Display-Anzeige: DOOR).
- Die Taste  wurde nicht gedrückt.
- Die Taste START/RESET wurde nicht gedrückt.
- Der Wasserhahn ist nicht auf.
- Es wurde ein verzögerter Start gewählt (Delay Timer, *siehe Seite 31*).
- Der Zufuhrschlauch ist nicht am Wasserhahn angeschlossen.
- Der Schlauch ist geknickt.
- Der Wasserhahn ist nicht auf.
- Es ist kein Wasser da.
- Der Druck ist unzureichend.
- Die Taste START/RESET wurde nicht gedrückt.
- Der Ablaufschlauch befindet sich nicht auf der vorgeschriebenen Höhe, d.h. 65 - 100 cm vom Boden (*siehe Seite 27*).
- Das Schlauchende liegt unter Wasser (*siehe Seite 27*).
- Der Mauerablauf wurde nicht mit einer Entlüftungsöffnung versehen. Konnte die Störung durch diese Kontrollen nicht behoben werden, dann drehen Sie den Wasserhahn zu, schalten das Gerät aus und fordern den Kundendienst an. Falls Sie in einer der obersten Etagen eines Gebäudes wohnen, kann es vorkommen, dass sich im Syphon ein Vakuum bildet, und der Waschvollautomat ständig Wasser ansaugt und wieder abpumpt. Zur Lösung dieser Probleme bietet der Handel spezielle Syphonventile.
- Das Programm siehe kein Abpumpen vor: bei einigen Programmen muss diese Funktion manuell gestartet werden (*siehe Seite 30*).
- Die Option ‚Bügelleicht‘ wurde eingestellt: zur Beendigung des Programms Taste START/RESET drücken (*siehe Seite 31*).
- Der Ablaufschlauch ist geknickt (*siehe Seite 27*).
- Die Ablaufleitung ist verstopft.
- Die Trommel wurde bei der Installation nicht korrekt befreit (*siehe Seite 26*).
- Der Waschvollautomat steht nicht eben (*siehe Seite 26*).
- Der Waschvollautomat steht zu eng zwischen der Wand und einem Möbel (*siehe Seite 26*).
- Der Zulaufschlauch wurde nicht ordnungsgemäß aufgeschraubt (*siehe Seite 26*).
- Die Waschmittelschublade ist verstopft (*zur Reinigung siehe Seite 34*).
- Der Ablaufschlauch wurde nicht ordnungsgemäß befestigt (*siehe Seite 27*).
- Schalten Sie das Gerät aus und ziehen Sie den Netzstecker; warten Sie daraufhin ca. 1 Minute und schalten Sie es wieder ein. Bleibt die Störung bestehen, kontaktieren Sie bitte den Kundendienst.
- Das Waschmittel ist für Waschmaschinen nicht geeignet (es muss mit der Aufschrift "Für Waschmaschinen", "Für Handwäsche und Waschmaschinen" usw. versehen sein).
- Es wurde zu hoch dosiert.

Kundendienst

DE

Bevor Sie sich an den Kundendienst wenden:

- Kontrollieren Sie zuerst, ob das Problem nicht allein gelöst werden kann (*siehe Seite 35*);
- Starten Sie das Programm erneut, um sicherzustellen, dass die Störung auch wirklich behoben wurde;
- Ist dies nicht der Fall, dann kontaktieren Sie den autorisierten Kundendienst unter der auf dem Garantieschein befindlichen Telefonnummer.

! Wenden Sie sich auf keinen Fall an nicht autorisierte Techniker.

Geben Sie bitte Folgendes an:

- die Art der Störung;
- das Maschinenmodell (Mod.);
- die Seriennummer (S/N).

Diese Daten entnehmen Sie bitte dem auf der Rückseite der Maschine befindlichen Typenschild.

ES**Espanol****WIXE 127**

Sumario

Instalación, 38-39

Desembalaje y nivelación
Conexiones hidráulicas y eléctricas
Primer ciclo de lavado
Datos técnicos

Descripción de la lavadora, 40-41

Panel de control
Display
Programa "MEMO"

Puesta en marcha y Programas, 42

En la práctica: poner en marcha un programa
Tabla de programas

Personalizaciones, 43

Regular el centrifugado
Regule el delay timer
Regular la temperatura
Funciones

Detergentes y ropa, 44

Cajón de detergentes
Ciclo de blanqueo
Preparar la ropa
Prendas especiales

Precauciones y consejos, 45

Seguridad general
Eliminaciones
Ahorrar y respetar el ambiente

Mantenimiento y cuidados, 46

Excluir el agua y la corriente eléctrica
Limpiar la lavadora
Limpiar el contenedor de detergentes
Cuidar la puerta y el cesto
Limpiar la bomba
Controlar el tubo de alimentación de agua

Anomalías y soluciones, 47

Asistencia, 48

Antes de llamar a la Asistencia Técnica

Instalación

ES

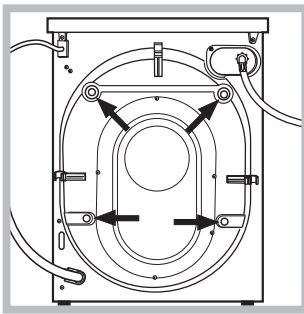
! Es importante conservar este manual para poder consultarlo en cualquier momento. En caso de venta, de cesión o de traslado, verifique que permanezca junto con la lavadora para informar al nuevo propietario sobre el funcionamiento y brindar las correspondientes advertencias.

! Lea atentamente las instrucciones: ellas contienen importante información sobre la instalación, el uso y la seguridad.

Desembalaje y nivelación

Desembalaje

1. Desembale la lavadora.
2. Controle que la lavadora no haya sufrido daños durante el transporte. Si estuviera dañada no la conecte y llame al revendedor.



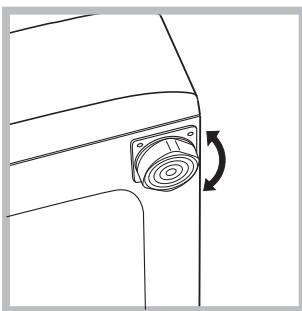
3. Quite los 4 tornillos de protección para el transporte y la arandela de goma con el correspondiente distanciador, ubicados en la parte posterior (ver la figura).

4. Cierre los orificios con los tapones de plástico suministrados con el aparato.
5. Conserve todas las piezas: cuando la lavadora deba ser transportada nuevamente, deberán volver a colocarse.

! Los embalajes no son juguetes para los niños.

Nivelación

1. Instale la lavadora sobre un piso plano y rígido, sin apoyarla en las paredes, muebles ni en ningún otro aparato.

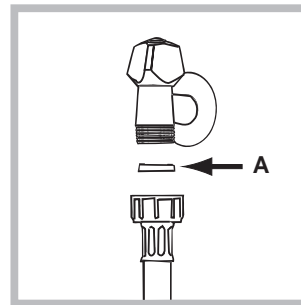


2. Si el piso no está perfectamente horizontal, compense las irregularidades desenroscando o enroscando los pies delanteros (véase la figura); el ángulo de inclinación medido sobre la superficie de trabajo, no debe superar los 2°.

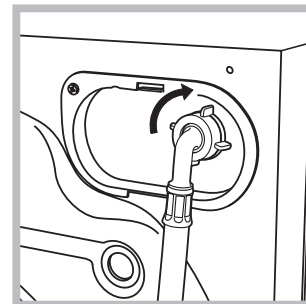
Una cuidadosa nivelación brinda estabilidad a la máquina y evita vibraciones, ruidos y desplazamientos durante el funcionamiento. Cuando se instala sobre moquetas o alfombras, regule los pies para conservar debajo de la lavadora un espacio suficiente para la ventilación.

Conexiones hidráulicas y eléctricas

Conexión del tubo de alimentación de agua



1. Introduzca la junta A en el extremo del tubo de alimentación y enrósquelo a un grifo de agua fría con boca roscada de 3/4 gas (véase la figura). Antes de conectarlo, haga correr el agua hasta que salga limpia.



2. Conecte el tubo de alimentación a la lavadora enroscándolo en la toma de agua correspondiente ubicada en la parte posterior arriba y a la derecha (véase la figura).

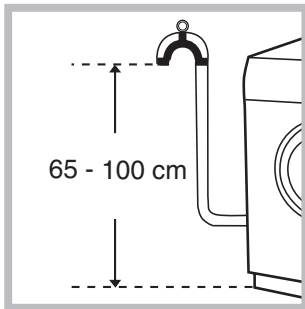
3. Verifique que el tubo no tenga pliegues ni estrangulaciones.

! La presión de agua del grifo debe estar comprendida dentro de los valores contenidos en la tabla de Datos técnicos (ver la página del costado).

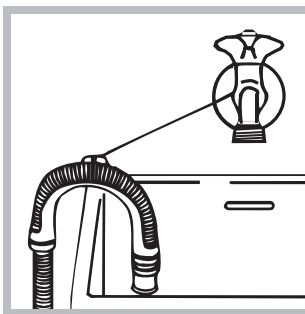
! Si la longitud del tubo de alimentación no fuera suficiente, diríjase a una tienda especializada o a un técnico autorizado.

! No utilice nunca tubos ya usados.

Conexión del tubo de descarga



Conecte el tubo de descarga, sin plegarlo, a un desagüe de pared ubicado a una distancia del piso comprendida entre 65 y 100 cm;



o apóyelo al borde de un lavabo o de una bañera, uniendo la guía suministrada con el aparato, al grifo (véase la figura). El extremo libre del tubo de descarga no debe permanecer sumergido en el agua.

! No se aconseja utilizar tubos de prolongación, de todos modos, si es indispensable, la prolongación debe tener el mismo diámetro del tubo original y no superar los 150 cm.

Conexión eléctrica

Antes de enchufar el aparato, verifique que:

- la toma tenga la conexión a tierra y haya sido hecha según las normas legales;
- la toma sea capaz de soportar la carga máxima de potencia de la máquina indicada en la tabla de Datos técnicos (ver al costado);
- la tensión de alimentación esté comprendida dentro de los valores indicados en la tabla de Datos técnicos (ver al costado);
- la toma sea compatible con el enchufe de la lavadora. Si no es así, sustituya la toma o el enchufe.

! La lavadora no debe ser instalada al aire libre, ni siquiera si el lugar está preparado, ya que es muy peligroso dejarla expuesta a la lluvia o a las tormentas.

! Una vez instalada la lavadora, la toma de corriente debe ser fácilmente accesible.

! No utilice alargadores ni conexiones múltiples.

! El cable no debe estar plegado ni sufrir compresiones.

! El cable de alimentación debe ser sustituido sólo por técnicos autorizados.

¡Atención! La empresa fabricante declina toda responsabilidad en caso de que estas normas no sean respetadas.

Primer ciclo de lavado

Después de la instalación y antes del uso, realice un ciclo de lavado con detergente y sin ropa, seleccionando el programa a 90°C sin prelavado.

Datos técnicos

Modelo	WIXE 127
Dimensiones	ancho 59,5 cm. altura 85 cm. profundidad 53,5 cm.
Capacidad	de 1 a 6 kg.
Conexiones eléctricas	ver la placa de características técnicas aplicada en la máquina
Conexiones hídricas	presión máxima 1 MPa (10 bar) presión mínima 0,05 MPa (0,5 bar) capacidad del cesto 52 litros
Velocidad de centrifugado	máxima 1200 r.p.m.
Programas de control según la norma EN 60456	programa 2; temperatura 60°C; efectuado con 6 kg. de carga.



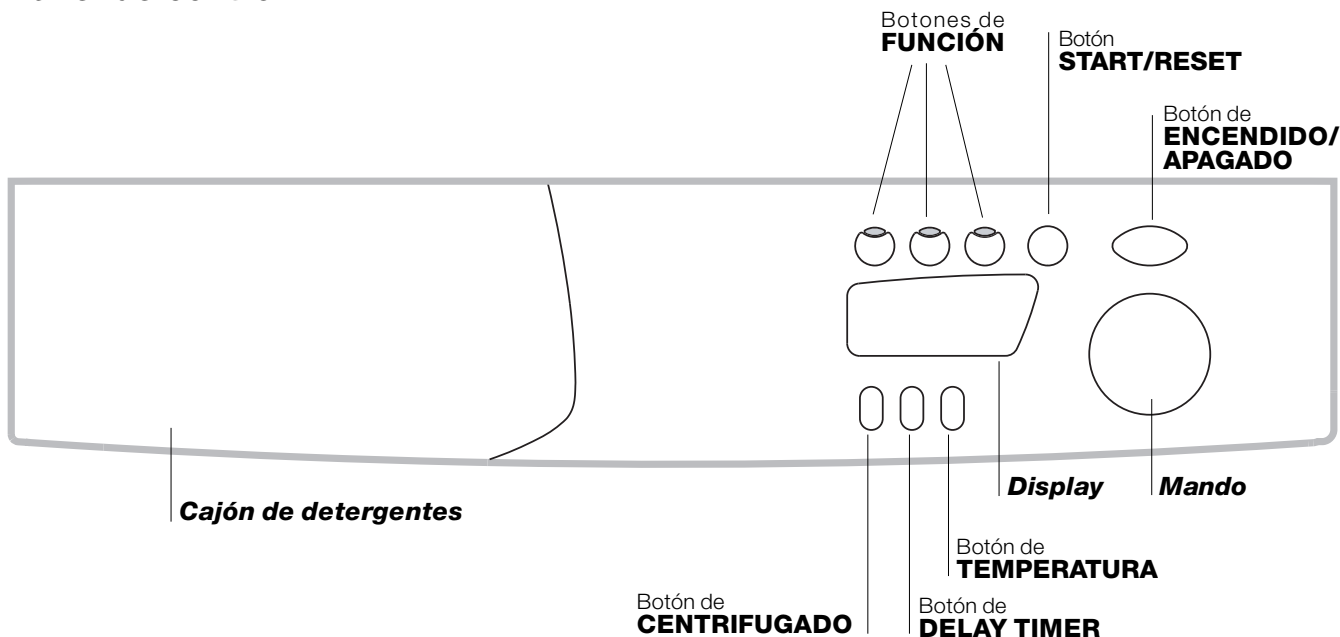
Esta máquina cumple con lo establecido por las siguientes Directivas de la Comunidad:

- 89/336/CEE del 03/05/89 (Compatibilidad Electromagnética) y sucesivas modificaciones
- 2002/96/CE
- 2006/95/CE (Baja Tensión)

Descripción de la lavadora

ES

Panel de control



Cajón de detergentes para cargar detergentes y aditivos (véase la pág. 44).

Botón de **CENTRIFUGADO** para regular la velocidad de centrifugado hasta su exclusión (véase la pág. 43).

Botón de **DELAY TIMER** para retrasar el comienzo del programa seleccionado hasta un máximo de 24 horas (véase la pág. 43).

Botón de **TEMPERATURA** para modificar la temperatura de lavado (véase la pág. 43).

Display para programar la lavadora y seguir el avance de los ciclos de lavado (véase la página del costado).

Botones de **FUNCIÓN:** para seleccionar las funciones disponibles. El botón correspondiente a la función seleccionada permanecerá encendido.

Botón **START/RESET** para poner en marcha los programas o anular las selecciones incorrectas.

Botón de **ENCENDIDO/APAGADO** para encender y apagar la lavadora.

Mando para elegir los programas. Durante el programa el mando no se mueve.

Notas: Para evitar vibraciones excesivas, antes de cada centrifugado, la máquina distribuye la carga de modo uniforme, esto se produce efectuando rotaciones continuas del cesto a una velocidad ligeramente superior a la del lavado.

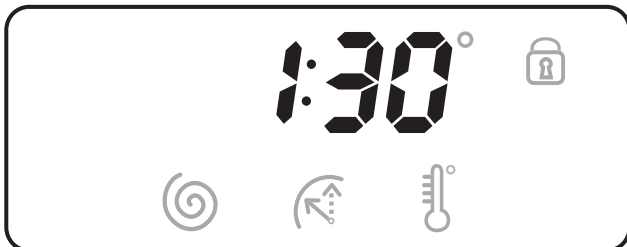
Aún cuando después de repetidos intentos, la carga no se distribuye perfectamente, la máquina realiza el centrifugado a una velocidad inferior a la prevista.

Cuando existe un excesivo desequilibrado, la máquina efectúa la distribución en lugar del centrifugado.

Los intentos de equilibrado pueden aumentar la duración total del ciclo hasta un máximo de 10 minutos.

Display

Además de ser un útil instrumento para programar la máquina (véase la pág. 43), el display brinda información sobre el ciclo de lavado.



Después de haber pulsado el botón START/RESET para poner en marcha el programa, en el display se visualiza el tiempo que falta para la finalización del ciclo. Si se ha seleccionado un retraso de la hora de comienzo (Delay Timer, véase la pág. 43), el mismo se visualizará.

Puerta bloqueada:


El símbolo encendido indica que la puerta está bloqueada para impedir aperturas accidentales. Para evitar daños, antes de abrir la puerta, se debe esperar que el símbolo se apague.


Al final del programa se visualiza la palabra END.

! En caso de anomalía, aparece un código de error, por ejemplo: F-01, que se debe transmitir a la Asistencia Técnica (véase la pág. 47).

Programa "MEMO"

Este programa permite memorizar el ciclo de lavado preferido o más utilizado.

Es suficiente seleccionar el programa deseado y, después de que ha comenzado, girar el MANDO hasta la posición , automáticamente el ciclo se memorizará y en el display aparecerá la palabra "MEMO" centelleante durante algunos segundos.


A continuación, se puede poner en funcionamiento el ciclo "MEMO" simplemente girando el MANDO hasta la posición . Se podrán visualizar los valores de temperatura/centrifugado/delay timer pulsando los botones correspondientes, también se podrán modificar, pero esta variación será válida sólo para el programa en curso y no será memorizada en el ciclo "MEMO".

Si desea memorizar un nuevo ciclo de lavado, repita las operaciones indicadas arriba.

Puesta en marcha y Programas

ES

En la práctica: poner en marcha un programa

1. Encienda la lavadora pulsando el botón .
2. Cargue la ropa y cierre la puerta.
3. Seleccione el programa deseado con el mando. En el display se indicará el tiempo estimado. Temperatura y centrifugado se seleccionan automáticamente de acuerdo con el programa (para modificarlos ver la pág. 43).






4. Seleccione eventuales funciones (véase la pág. 43).
5. Vierta el detergente y los aditivos (véase la pág. 44).
6. Ponga en marcha el programa pulsando el botón START/RESET.
Para anular, mantenga presionado el botón START/RESET durante 2 segundos como mínimo.
7. Al finalizar el programa aparece la palabra END.
Extraiga la ropa y deje la puerta semiabierto para permitir que se seque el cesto.
8. Apague la lavadora pulsando el botón .

Tabla de programas

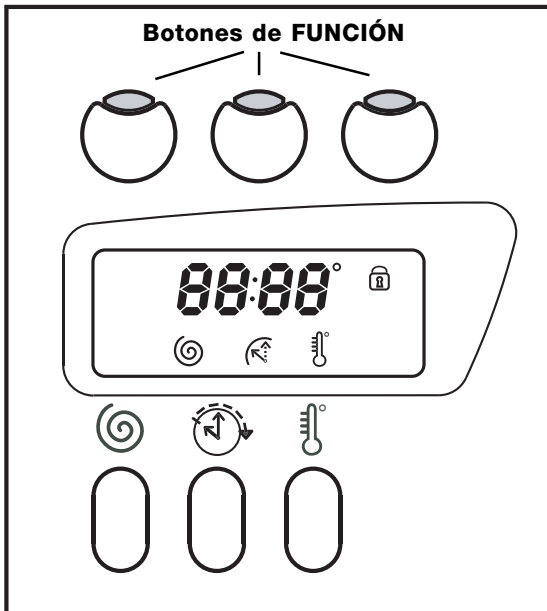
Tipos de tejidos y de suciedad	Programas	Temperatura	Detergente		Suavizante	Opción Antimancha / Blanqueador	Duración del ciclo (minutos)	Descripción del ciclo de lavado
			prelav.	lavado				
Estándar								
Algodón: Blancos sumamente sucios (sábanas, manteles, etc.)	1	90°C	•	•	•		155	Prelavado, lavado, aclarados, centrifugas intermedias y final
Algodón: Blancos sumamente sucios (sábanas, manteles, etc.)	2	90°C		•	•	Delicado / Tradicional	150	Lavado, aclarados, centrifugas intermedias y final
Algodón: Blancos y coloreados resistentes muy sucios	2	60°C		•	•	Delicado / Tradicional	140	Lavado, aclarados, centrifugas intermedias y final
Algodón: Blancos y coloreados delicados muy sucios	2	40°C		•	•	Delicado / Tradicional	125	Lavado, aclarados, centrifugas intermedias y final
Algodón: Blancos poco sucios y colores delicados (camisas, camisetitas, etc.)	3	40°C		•	•	Delicado / Tradicional	85	Lavado, aclarados, centrifugas intermedias y final
Sintéticos: Colores resistentes muy sucios (ropa para recién nacidos, etc.)	4	50°C		•	•	Delicado	83	Lavado, aclarados, antiarrugas o centrifuga delicada
Sintéticos: Colores resistentes muy sucios (ropa para recién nacidos, etc.)	4	40°C		•	•	Delicado	70	Lavado, aclarados, antiarrugas o centrifuga delicada
Lana	5	40°C		•	•		50	Lavado, aclarados y centrifugación delicada
Tejidos muy delicados (cortinas, seda, viscosa, etc.)	6	30°C		•	•		45	Lavado, aclarados, antiarrugas o desague
Time 4 you								
Algodón: Blancos y coloreados resistentes muy sucios	7	60°C		•	•		60	Lavado, aclarados, centrifugas intermedias y final
Algodón: Blancos poco sucios y colores delicados (camisas, camisetitas, etc.)	8	40°C		•	•		50	Lavado, aclarados, centrifugas intermedias y final
Sintéticos: Colores delicados (ropa de todo tipo ligeramente sucia)	9	40°C		•	•		40	Lavado, aclarados y centrifuga delicada
Sintéticos: Colores delicados (ropa de todo tipo ligeramente sucia)	10	30°C		•	•		30	Lavado, aclarados y centrifuga delicada
Sport								
Calzado deportivo (MAX. 2 pares.)	11	30°C		•	•		50	Lavado en frío (sin detergente), lavado, aclarados y centrifugación delicada
Tejidos para ropa deportiva (chandal, pantalón corto, etc.)	12	30°C		•	•		60	Lavado, aclarados, centrifugas intermedias y final
MEMO				Permite memorizar cualquier tipo de lavado (véase la pág. 41).				
PROGRAMAS PARCIALES								
Aclarado					•	Delicado / Tradicional		Aclarados y centrifugación
Centrifugación								Desague y centrifugación
Desague								Desague

Notas

- En los programas 7 - 8 es aconsejable no superar una carga de ropa de 3,5 kg.
- En el programa 12 se aconseja no superar una carga de ropa de 2 kg.
- Para la descripción del antiarrugas: consulte Plancha fácil, página siguiente. Los datos contenidos en la tabla tienen un valor indicativo.

Programa especial

Diario 30' (programa 10 para Sintéticos) fue estudiado para lavar prendas ligeramente sucias y en poco tiempo: dura sólo 30 minutos y de esa manera hace ahorrar energía y tiempo. Seleccionando el programa (10 a 30°C) es posible lavar conjuntamente tejidos de distinto tipo (excluidas lana y seda), con una carga máxima de 3 kg. *Se aconseja el uso de detergente líquido.*



Regular el centrifugado

Si al encender la máquina, el MANDO está ubicado en un programa que prevé el centrifugado, el símbolo aparecerá fijo. Pulsando el botón se visualiza la velocidad de centrifugado máxima permitida por el programa seleccionado y el símbolo centellea. Pulsándolo una vez más, los valores descienden hasta OFF, que indica exclusión del centrifugado (si se pulsa nuevamente se vuelve al valor más alto). Al detenerse sobre la velocidad deseada, después de 2 segundos aproximadamente se acepta la selección: el símbolo permanecerá fijo. La regulación del centrifugado se puede realizar en todos los programas excepto el 6 y en Desagüe.

Regule el delay timer

Pulsando el botón , en el display se visualiza la palabra OFF y el símbolo correspondiente centellea.

Pulsando una vez más el botón aparece "1h", o sea retraso de una hora y así hasta 24h. Al detenerse en el "retraso" deseado, después de 2 segundos aproximadamente se aceptará la selección, luego en el display se visualizará el tiempo previsto por el programa seleccionado y el símbolo permanecerá encendido.

Pulsando ahora el botón START/RESET vuelve a aparecer el valor del "retraso" seleccionado que disminuye cada hora hasta el comienzo del ciclo. En esta fase se puede modificar el valor del "retraso" sólo disminuyéndolo. La regulación del Delay Timer se puede realizar en todos los programas.

Regular la temperatura

Si al encender la máquina, el MANDO está ubicado en un programa que prevé la regulación de la temperatura, el símbolo aparecerá fijo. Pulsando el botón se visualiza la temperatura máxima permitida por el programa seleccionado y el símbolo centellea. Pulsándolo una vez más, la temperatura desciende hasta OFF, que indica lavado en frío (si se pulsa nuevamente se vuelve al valor más alto). Al detenerse sobre el valor deseado, después de 2 segundos aproximadamente se acepta la selección: el símbolo permanecerá fijo.

La regulación de la temperatura se puede realizar en todos los programas de lavado.

Funciones

Las distintas funciones de lavado previstas por la lavadora permiten obtener la limpieza y el blanco deseados.

Para activar las funciones:

1. pulse el botón correspondiente a la función deseada de acuerdo con la tabla que se encuentra debajo;
2. el encendido del botón correspondiente indica que la función está activa.

Nota: El centelleo rápido del botón indica que la función correspondiente no se puede seleccionar para el programa elegido.

Cuando se seleccione una función incompatible con otra seleccionada precedentemente, permanecerá activa sólo la última selección realizada.

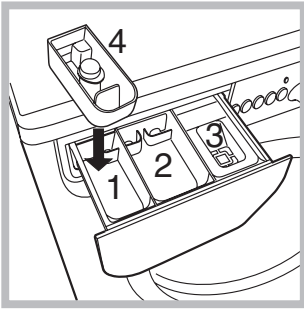
Funciones	Efecto	Notas para el uso	Activa con los programas:
Antimancha	Ciclo de blanqueo adecuado para eliminar las manchas más resistentes.	Recuerde verter el blanqueador en la cubeta adicional 4 (ver la pág.44). No es compatible con la función PLANCHA FACIL.	2, 3, 4, Aclarado.
Aclarado Extra	Aumenta la eficacia del enjuague.	Es aconsejable con la lavadora a plena carga o con dosis elevadas de detergente.	1, 2, 3, 4, 7, 8, 9, 11, 12, Aclarado.
Plancha fácil	Reduce las arrugas en los tejidos, facilitando el planchado.	Seleccionando esta función, los programas 4, 6 se interrumpen con la ropa en remojo (Antiarrugas) y el botón correspondiente centellea. - para completar el ciclo pulse el botón START/RESET o el botón PLANCHA FACIL. - para efectuar sólo la descarga coloque la perilla en el símbolo correspondiente y pulse el botón START/RESET. No es compatible con la función ANTIMANCHA.	3, 4, 6, 7, 8, 9, Aclarado.

Detergentes y ropa

ES

Cajón de detergentes

El buen resultado del lavado depende también de la correcta dosificación del detergente: si se excede la cantidad, no se lava de manera más eficaz, sino que se contribuye a encostrar las partes internas de la lavadora y a contaminar el ambiente.



Extraiga el cajón de detergentes e introduzca el detergente o el aditivo de la siguiente manera:

cubeta 1: Detergente para prelavado (en polvo)

Antes de verter el detergente, verifique que no esté colocada la cubeta adicional 4.

cubeta 2: Detergente para lavado (en polvo o líquido)

El detergente líquido se debe verter sólo antes de la puesta en marcha.

cubeta 3: Aditivos (suavizante, etc.)

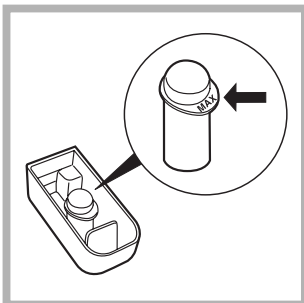
El suavizante no se debe volcar fuera de la rejilla.

cubeta adicional 4: Blanqueador

! No use detergentes para el lavado a mano ya que producen demasiada espuma.


Ciclo de blanqueo

! El blanqueador **tradicional** debe utilizarse para los tejidos resistentes blancos, mientras que el **delicado** debe utilizarse para la lana y los tejidos coloreados y sintéticos.



Introduzca la cubeta adicional 4 suministrada con el aparato, en la cubeta 1.

Al verter el blanqueador no debe superar el nivel "máx." indicado en el perno central (véase la figura).

Para realizar sólo el blanqueo, vierta el blanqueador en la cubeta adicional 4, seleccione el programa Aclarado  y active la función Antimancha (ver la pág. 43).

Para blanquear durante el lavado, vierta el detergente y los aditivos, seleccione el programa deseado y active la función Antimancha (ver la pág. 43).

El uso de la cubeta adicional 4 excluye el prelavado.

Preparar la ropa

- Subdivida la ropa según:
 - el tipo de tejido / el símbolo en la etiqueta.
 - los colores: separe las prendas de color y las blancas.
- Vacíe los bolsillos y controle los botones.
- No supere los valores indicados, referidos al peso de la ropa seca:
 - Tejidos resistentes: max 6 kg.
 - Tejidos sintéticos: max 2,5 kg.
 - Tejidos delicados: max 2 kg.
 - Lana: max 1,5 kg.

¿Cuánto pesa la ropa?

- 1 sábana 400/500 g
- 1 funda 150/200 g
- 1 mantel 400/500 g
- 1 albornoz 900/1.200 g
- 1 toalla 150/250 g

Prendas especiales

Cortinas: pliéguelas y colóquelas dentro de una funda o de una bolsa de red. Lávelas solas sin superar la media carga. Utilice el programa 6 que excluye automáticamente el centrifugado.

Cazadoras acolchadas con plumas y anoraks: si el relleno es de pluma de ganso o de pato, se pueden lavar en la lavadora. Poner las prendas del revés y realizar una carga máxima de 2-3 kg, repitiendo el enjuague una o dos veces y utilizando el centrifugado delicado.

Lana: para obtener los mejores resultados, utilice un detergente específico y no supere 1,5 kg. de carga.

! La lavadora fue proyectada y fabricada en conformidad con las normas internacionales de seguridad. Estas advertencias se suministran por razones de seguridad y deben ser leídas atentamente.

Seguridad general

- Este aparato fue fabricado para uso doméstico.
- La lavadora debe ser utilizada sólo por personas adultas y siguiendo las instrucciones contenidas en este manual.
- No toque la máquina con los pies desnudos ni con las manos o los pies mojados o húmedos.
- No desenchufe la máquina tirando del cable, sino tomando el enchufe.
- No abra el contenedor de detergentes mientras la máquina está en funcionamiento.
- No toque el agua de desagüe ya que puede alcanzar temperaturas elevadas.
- En ningún caso fuerce la puerta: podría dañarse el mecanismo de seguridad que la protege de aperturas accidentales.
- En caso de avería, no acceda nunca a los mecanismos internos para intentar una reparación.
- Controle siempre que los niños no se acerquen a la máquina cuando está en funcionamiento.
- Durante el lavado, la puerta tiende a calentarse.
- Si debe ser trasladada, deberán intervenir dos o más personas, procediendo con el máximo cuidado. La máquina no debe ser desplazada nunca por una persona sola ya que es muy pesada.
- Antes de introducir la ropa controle que el cesto esté vacío.

Eliminaciones

- Eliminación del material de embalaje: respete las normas locales, de ese modo, los embalajes podrán volver a ser utilizados.
- En base a la Norma europea 2002/96/CE de Residuos de aparatos Eléctricos y Electrónicos, los electrodomésticos viejos no pueden ser arrojados en los contenedores municipales habituales; tienen que ser recogidos selectivamente

para optimizar la recuperación y reciclado de los componentes y materiales que los constituyen, y reducir el impacto en la salud humana y el medioambiente. El símbolo del cubo de basura tachado se marca sobre todos los productos para recordar al consumidor la obligación de separarlos para la recogida selectiva.

El consumidor debe contactar con la autoridad local o con el vendedor para informarse en relación a la correcta eliminación de su electrodoméstico viejo.

Ahorrar y respetar el medio ambiente

Tecnología a servicio del medio ambiente

Si en la puerta se ve poca agua es porque con la nueva tecnología Indesit basta menos de la mitad del agua para alcanzar la mayor limpieza: un objetivo alcanzado para respetar el medio ambiente.

Ahorrar detergente, agua, energía y tiempo

- Para no derrochar recursos es necesario utilizar la lavadora con la máxima carga. Una carga completa en lugar de dos medias cargas permite ahorrar hasta el 50% de energía.
- El prelavado es necesario sólo para ropa muy sucia. Evitarlo permite ahorrar detergente, tiempo, agua y entre el 5 y el 15% de energía.
- Tratar las manchas con un quitamanchas o dejarlas en remojo antes del lavado, disminuye la necesidad de lavar a altas temperaturas. Un programa a 60°C en vez de 90°C o uno a 40°C en vez de 60°C, permite ahorrar hasta un 50% de energía.
- Dosificar bien el detergente en base a la dureza del agua, al grado de suciedad y a la cantidad de ropa evita derroches y protege el ambiente: aún siendo biodegradables, los detergentes contienen elementos que alteran el equilibrio de la naturaleza. Además, si es posible, evite utilizar el suavizante.
- Realizando los lavados desde el atardecer hasta las primeras horas de la mañana se colabora para reducir la carga de absorción de las empresas eléctricas. La función Delay Timer (*ver la pág. 43*) ayuda mucho a organizar los lavados en ese sentido.
- Si el lavado debe ser secado en una secadora, seleccione una velocidad de centrifugado alta. Poca agua en el lavado, permite ahorrar tiempo y energía en el programa de secado.

Mantenimiento y cuidados

ES

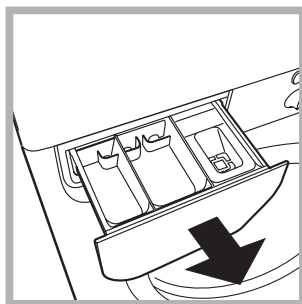
Excluir agua y corriente eléctrica

- Cierre el grifo de agua después de cada lavado. De este modo se limita el desgaste de la instalación hidráulica de la lavadora y se elimina el peligro de pérdidas.
- Desenchufe la máquina cuando la deba limpiar y durante los trabajos de mantenimiento.

Limpiar la lavadora

La parte externa y las partes de goma se pueden limpiar con un paño embebido en agua tibia y jabón. No use solventes ni productos abrasivos.

Limpiar el cajón de los detergentes



Extraiga el contenedor tirando hacia fuera (ver la figura). Lávelo debajo del agua corriente, esta limpieza se debe realizar frecuentemente.

Cuidar la puerta y el cesto

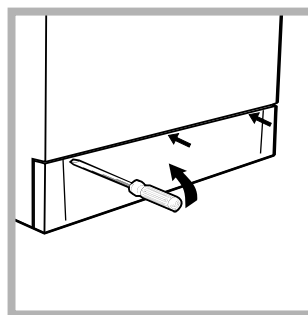
- Deje siempre semicerrada la puerta para evitar que se formen malos olores.

Limpiar la bomba

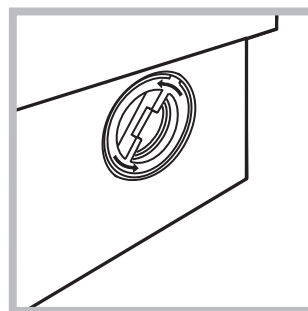
La lavadora posee una bomba autolimpiante que no necesita mantenimiento. Pero puede suceder que objetos pequeños (monedas, botones) caigan en la precámara que protege la bomba, situada en la parte inferior de la misma.

! Verifique que el ciclo de lavado haya terminado y desenchufe la máquina.

Para acceder a la precámara:



1. quite el panel de cobertura delantero de la lavadora con la ayuda de un destornillador (ver la figura);



2. desenrosque la tapa girándola en sentido antihorario (ver la figura); es normal que se vuelque un poco de agua;

3. limpie con cuidado el interior;
4. vuelva a enroscar la tapa;
5. vuelva a montar el panel verificando, antes de empujarlo hacia la máquina, que los ganchos se hayan introducido en las correspondientes ranuras.

Controle el tubo de alimentación de agua

Controle el tubo de alimentación al menos una vez al año. Si presenta grietas o rozaduras se debe sustituir: durante los lavados, las fuertes presiones podrían provocar roturas imprevistas.

! No utilice nunca tubos ya usados.

Puede suceder que la lavadora no funcione. Antes de llamar a la Asistencia Técnica (ver la pág. 48), controle que no se trate de un problema de fácil solución ayudándose con la siguiente lista.


Anomalías:

Posibles causas / Solución:

La lavadora no se enciende.

- El enchufe no está introducido en la toma de corriente, o no hace contacto.
- En la casa no hay corriente.

El ciclo de lavado no comienza.

- La puerta no está bien cerrada (en el display se visualiza la palabra DOOR).
- El botón  no fue pulsado.
- El botón START/RESET no fue pulsado.
- El grifo del agua no está abierto.
- Se fijó un retraso de la hora de puesta en funcionamiento (Delay Timer, ver la pág. 43).

La lavadora no carga agua (En el display se visualiza el mensaje H₂O).

- El tubo de alimentación de agua no está conectado al grifo.
- El tubo está plegado.
- El grifo de agua no está abierto.
- En la casa falta el agua.
- No hay suficiente presión.
- El botón START/RESET no fue pulsado.

La lavadora carga y descarga agua continuamente.

- El tubo de desagüe no está instalado entre los 65 y 100 cm. del suelo (ver la pág. 39).
- El extremo del tubo de descarga está sumergido en el agua (ver la pág. 39).
- La descarga de pared no posee un respiradero.

Si después de estas verificaciones el problema no se resuelve, cierre el grifo de agua, apague la lavadora y llame a la Asistencia. Si la vivienda se encuentra en uno de los últimos pisos de un edificio, es posible que se verifiquen fenómenos de sifonaje, por ello la lavadora carga y descarga agua de modo continuo. Para eliminar este inconveniente se encuentran disponibles en el comercio válvulas especiales que permiten evitar el sifonaje.

La lavadora no descarga o no centrifuga.

- El programa no prevé la descarga: con algunos programas es necesario activarlo manualmente (ver la pág. 42).
- La opción «Plancha fácil» está activa: para completar el programa, pulse el botón START/RESET (ver la pág. 43).
- El tubo de descarga está plegado (ver la pág. 39).
- El conducto de descarga está obstruido.

La lavadora vibra mucho durante la centrifugación.

- El cesto, en el momento de la instalación, no fue desbloqueado correctamente (ver la pág. 38).
- La lavadora no está instalada en un lugar plano (ver la pág. 38).
- Existe muy poco espacio entre la lavadora, los muebles y la pared (ver la pág. 38).

La lavadora pierde agua.

- El tubo de alimentación de agua no está bien enroscado (ver la pág. 38).
- El cajón de detergentes está obstruido (para limpiarlo ver la pág. 46).
- El tubo de descarga no está bien fijado (ver la pág. 39).

En caso de anomalía, aparece un código de error, por ejemplo: F-01, F-.. .

- Apague la máquina y desenchúfela, espere aproximadamente 1 minuto y luego vuelva a encenderla. Si la anomalía persiste, llame al Servicio de Asistencia Técnica.

Se forma demasiada espuma.

- El detergente no es específico para la lavadora (debe contener algunas de las frases "para lavadora", "a mano o en lavadora" o similares).
- La dosificación fue excesiva.

Antes de llamar a la Asistencia Técnica:

- Verifique si la anomalía la puede resolver solo (*ver la pág. 47*);
- Vuelva a poner en marcha el programa para controlar si el inconveniente fue resuelto;
- Si no es así, llame a la Asistencia técnica autorizada, al número de teléfono indicado en el certificado de garantía.

! No recurra nunca a técnicos no autorizados.

Comunicar:

- el tipo de anomalía;
- el modelo de la máquina (Mod.);
- el número de serie (S/N).

Estas informaciones se encuentran en la placa que está fijada en la parte posterior de la lavadora.

La siguiente información es válida solo para España.

Para otros países de habla hispana consulte a su vendedor.

Ampliación de garantía

Llame al **902.363.539** y le informaremos sobre el fantástico plan de ampliación de garantía hasta 5 años. Consiga una cobertura total adicional de

- Piezas y componentes
- Mano de obra de los técnicos
- Desplazamiento a su domicilio de los técnicos

Y NO PAGUE AVERIAS NUNCA MAS

Servicio de asistencia técnica (SAT)

Llame al **902.133.133** y nuestros técnicos intervendrán con rapidez y eficacia, devolviendo el electrodoméstico a sus condiciones óptimas de funcionamiento.

En el SAT encontrará recambios, accesorios y productos específicos para la limpieza y mantenimiento de su electrodoméstico a precios competitivos.

ESTAMOS A SU SERVICIO

GR

ΕΛΛΗΝΙΚΑ

WIXE 127

Περιεχόμενα

Εγκατάσταση, 50-51

Αποσυσκευασία και οριζοντίωση
Υδραυλικές και ηλεκτρικές συνδέσεις
Πρώτος κύκλος πλυσίματος
Τεχνικά στοιχεία

Περιγραφή του πλυντηρίου, 52-53

Ταμπλό ελέγχου
Οθόνη
Πρόγραμμα "MEMO"

Εκκίνηση και Προγράμματα, 54

Εν συντομία: εκκίνηση ενός προγράμματος
Πίνακας των προγραμμάτων

Προσωπικές Ρυθμίσεις, 55

Ρυθμίστε το στύψιμο
Ρύθμιση του Delay Timer
Ρυθμίστε τη θερμοκρασία
Λειτουργίες

Απορρυπαντικά και ρούχα, 56

Θήκη απορρυπαντικών
Κύκλος λεύκανσης
Προετοιμασία της πλύσης
Ειδικά ρούχα

Προφυλάξεις και συμβουλές, 57

Γενική ασφάλεια
Διάθεση
Εξοικονόμηση ενέργειας και σεβασμός του περιβάλλοντος

Συντήρηση και φροντίδα, 58

Κλείσιμο παροχών νερού και ηλεκτρικού ρεύματος
Καθαρισμός του πλυντηρίου
Καθαρισμός του συρταριού απορρυπαντικών
Φροντίδα της πόρτας και του κάδου
Καθαρισμός της αντλίας
Έλεγχος του σωλήνα τροφοδοσίας του νερού

Προβλήματα και λύσεις, 59

Τεχνική Υποστήριξη, 60

Πριν καλέσετε την τεχνική υποστήριξη

Εγκατάσταση

GR

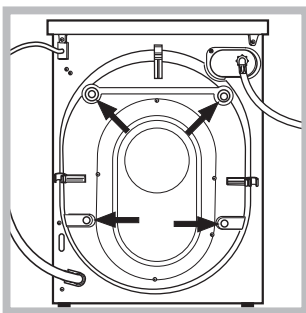
! Είναι σημαντικό να φυλάξετε το εγχειρίδιο αυτό για να μπορείτε να το συμβουλευέστε οποιαδήποτε στιγμή. Σε περίπτωση πώλησης, παραχώρησης ή μετακόμισης, βεβαιωθείτε ότι παραμένει μαζί με το πλυντήριο για να πληροφορεί τον νέο ιδιοκτήτη για τη λειτουργία και τις σχετικές προειδοποιήσεις.

! Διαβάστε προσεκτικά τις οδηγίες: υπάρχουν σημαντικές πληροφορίες για την εγκατάσταση, τη χρήση και την ασφάλεια.

Αποσυσκευασία και οριζοντίωση

Αποσυσκευασία

1. Αποσυσκευάστε το πλυντήριο.
2. Ελέγξτε αν το πλυντήριο έχει υποστεί ζημιές κατά τη μεταφορά. Αν έχει υποστεί ζημιές μην το συνδέετε και επικοινωνήστε με τον μεταπωλητή.



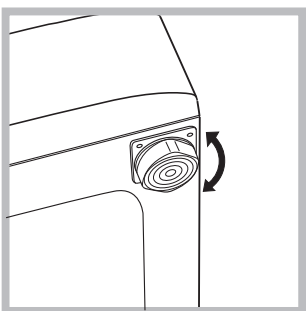
3. Αφαιρέστε τις 4 βίδες προστασίας για τη μεταφορά και το λαστιχάκι με το σχετικό διαχωριστικό, που βρίσκονται στο πίσω μέρος (βλέπε εικόνα).

4. Κλείστε τις οπές με τα πλαστικά πώματα που σας παρέχονται.
5. Με τα ειδικά πώματα κλείστε τις τρεις οπές που βρίσκονται στο κάτω δεξιά τμήμα της πίσω όψης της συσκευής.
6. Διατηρείστε και τα τρία τεμάχια: αν το πλυντήριο χρειαστεί να μεταφερθεί, θα πρέπει να ξαναμονταριστούν.

! Οι συσκευασίες δεν είναι παιχνίδια για μικρά παιδιά.

Οριζοντίωση

1. Εγκαταστήστε το πλυντήριο σε ένα δάπεδο επίπεδο και ανθεκτικό, χωρίς να το ακουμπήσετε σε τοίχους, έπιπλα ή άλλο.

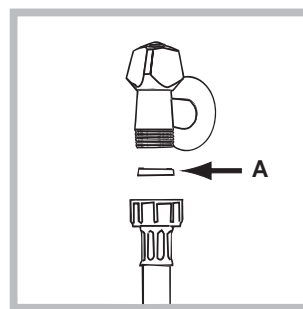


2. Αν το δάπεδο δεν είναι απόλυτα επίπεδο, οριζοντιώστε την συσκευή βιδώνοντας ή ξεβιδώνοντας τις ειδικές βάσεις στο μπροστινό τμήμα της συσκευής (βλέπε εικόνα). Η γωνία κλίσης, μετρημένη στην επιφάνεια εργασίας, δεν πρέπει να ξεπερνάει τις 2°.

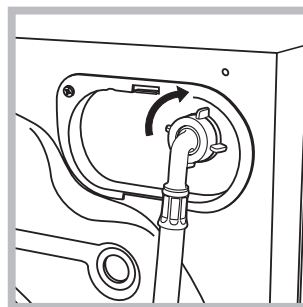
Η σωστή οριζοντίωση προσδίδει σταθερότητα στο μηχάνημα και αποσοβεί δονήσεις, θορύβους και μετατοπίσεις κατά τη λειτουργία. Αν το πλυντήριο τοποθετηθεί πάνω σε μοκέτα ή τάπητα, ρυθμίστε τα ποδαράκια έτσι ώστε να υπάρχει κάτω από το πλυντήριο αρκετός χώρος για τον αερισμό.

Υδραυλικές και ηλεκτρικές συνδέσεις

Σύνδεση του σωλήνα τροφοδοσίας νερού



1. Εισάγετε την τσιμούχα A στο άκρο του σωλήνα τροφοδοσίας και βιδώστε τη μια βρύση κρύου νερού με στόμιο σπειρώματος 3/4 gas (βλέπε εικόνα). Πριν την σύνδεση αφήστε το νερό να τρέξει μέχρι αυτό να είναι διαυγές.



2. Συνδέστε το σωλήνα τροφοδοσίας στο πλυντήριο βιδώνοντάς το στην αντίστοιχη είσοδο νερού, στο πίσω μέρος επάνω δεξιά (βλέπε εικόνα).

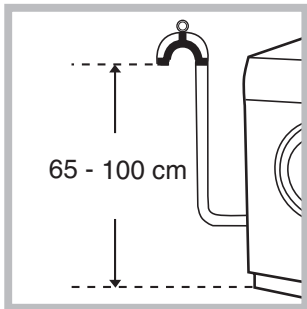
3. Βεβαιωθείτε ότι ο σωλήνας δεν είναι τσακισμένος σε κανένα σημείο του.

! Η πίεση του νερού πρέπει να κυμαίνεται μεταξύ των τιμών του πίνακα με τα τεχνικά στοιχεία (βλέπε επόμενη σελίδα).

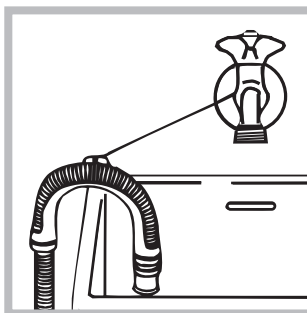
! Αν το μήκος του σωλήνα τροφοδοσίας νερού δεν επαρκεί, θα πρέπει να απευθυνθείτε σε ειδικευμένο κατάστημα ή σε εξουσιοδοτημένο τεχνικό.

! Μη χρησιμοποιείτε ποτέ σωλήνες χρησιμοποιημένους.

Σύνδεση του σωλήνα αδειάσματος νερού



Συνδέστε τον σωλήνα αδειάσματος νερού χωρίς να τον τσακίσετε σε μια αποχέτευση ή σε μια επιτοίχια αποχέτευση σε ύψος από το έδαφος μεταξύ 65 και 100 cm.



Μπορείτε επίσης να στηρίξετε τον σωλήνα αδειάσματος νερού στο χείλος ενός νιπτήρα δένοντάς τον στην βρύση (βλέπε εικόνα). Το ελεύθερο άκρο του σωλήνα δεν θα πρέπει να βυθίζεται στο νερό.

! Δεν συνιστάται η χρήση προεκτάσεων σωλήνων. Αν απαιτείται, η προέκταση πρέπει να έχει την ίδια διάμετρο του αρχικού σωλήνα και να μην ξεπερνάει τα 150 cm.

Ηλεκτρική σύνδεση

Πριν εισάγετε το βύσμα στην ηλεκτρική πρίζα, βεβαιωθείτε ότι:

- η πρίζα διαθέτει γείωση και συμμορφώνεται με τις ισχύουσες προδιαγραφές.
- η πρίζα είναι κατάλληλη για το μέγιστο φορτίο που αναγράφεται στον πίνακα τεχνικών στοιχείων (βλέπε πίνακα).
- Η τάση τροφοδοσίας να κυμαίνεται μεταξύ των τιμών που αναφέρονται στον πίνακα τεχνικών στοιχείων (βλέπε δίπλα).
- Η πρίζα να είναι συμβατή με το βύσμα του πλυντηρίου. Σε αντίθετη περίπτωση, αντικαταστήστε την πρίζα ή το βύσμα.

! Το πλυντήριο δεν πρέπει να εγκαθίσταται σε ανοικτούς χώρους, ακόμα και αν είναι στεγασμένοι γιατί είναι επικίνδυνο να μένει εκτεθειμένο σε βροχή και υγρασία.

! Η πρόσβαση στην πρίζα τροφοδοσίας του πλυντηρίου πρέπει να είναι εύκολη.

! Μη χρησιμοποιείτε προεκτάσεις και πολύπριζα.

! Μην τσακίζετε και μην τοποθετείτε βαριά αντικείμενα πάνω στο καλώδιο τροφοδοσίας.


! Το καλώδιο τροφοδοσίας πρέπει να αντικαθίσταται μόνο από εξουσιοδοτημένους τεχνικούς.

Προσοχή! Η επιχείρηση αποποιείται κάθε ευθύνης σε περίπτωση που οι κανόνες αυτοί δεν τηρούνται.

Πρώτος κύκλος πλυσίματος

Μετά την εγκατάσταση, πριν τη χρήση, πραγματοποιήστε ένα κύκλο πλυσίματος με απορρυπαντικό και χωρίς ρούχα θέτοντας το πρόγραμμα σε 90°C χωρίς πρόπλυση.

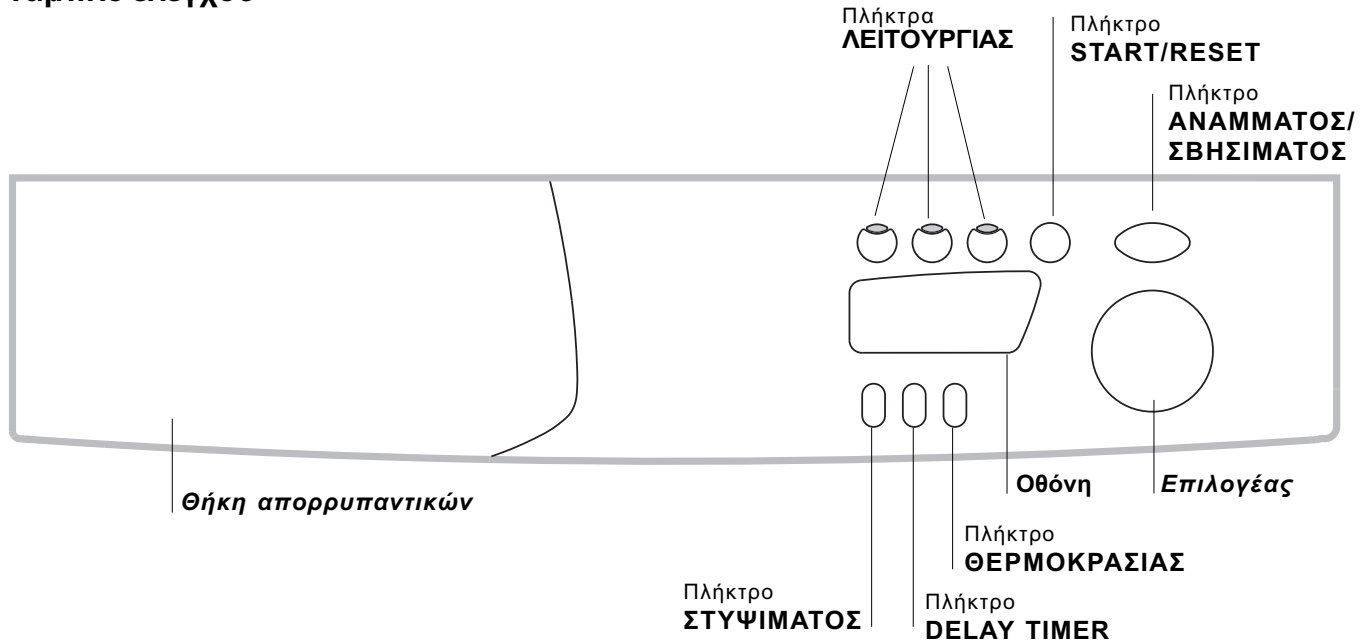
Τεχνικά στοιχεία

Μοντέλο	WIXE 127
Διαστάσεις	πλάτος cm 59,5 ύψος cm 85 βάθος cm 53,5
Χωρητικότητα	από 1 έως 6 kg
Ηλεκτρικές συνδέσεις	Βλέπε την πινακίδα χαρακτηριστικών επί της μηχανής
Συνδέσεις νερού	μέγιστη πίεση 1 MPa (10 bar) Ελάχιστη πίεση 0,05 MPa (0,5 bar) χωρητικότητα του κάδου 52 λίτρα
Ταχύτητα στυψίματος	μέχρι 1200 στροφές το λεπτό
Προγράμματα ελέγχου σύμφωνα με τον κανονισμό EN 60456	πρόγραμμα 2; θερμοκρασία 60°C; εκτελούμενο με 6 kg μπουγάδας.
	Η συσκευή αυτή είναι σύμφωνη με τις ακόλουθες οιντοτικές Οδηγίες: - 89/336/CEE της 03/05/89 (Ηλεκτρομαγνητική Συμβατότητα) και μεταγενέστερες τροποποιήσεις - 2002/96/CE - 2006/95/CE (Χαμηλή Τάση)

Περιγραφή του πλυντηρίου

GR

Ταμπλό ελέγχου



Θήκη απορρυπαντικών για την προσθήκη απορρυπαντικών και πρόσθετων (βλέπε σελ. 56).

Πλήκτρο **ΣΤΥΨΙΜΑΤΟΣ** για την επιλογή της ταχύτητας ή την απενεργοποίηση του στύψιματος (βλέπε σελ. 55).

Κουμπί **DELAY TIMER** για καθυστέρηση της εκκίνησης του επιλεγμένου προγράμματος μέχρι ένα μέγιστο 24 ωρών (βλέπε σελ. 55).

Πλήκτρο **ΘΕΡΜΟΚΡΑΣΙΑΣ** για την επιλογή της θερμοκρασίας πλύσης (βλέπε σελ. 55).

Οθόνη για τον προγραμματισμό του πλυντηρίου και την παρακολούθηση της εξέλιξης των πλύσεων (βλέπε επόμενη σελίδα).

Πλήκτρα **ΛΕΙΤΟΥΡΓΙΑΣ**: για να επιλέξετε τις διαθέσιμες λειτουργίες. Το πλήκτρο που αντιστοιχεί στην επιλεγμένη λειτουργία θα παραμείνει αναμμένο.

Πλήκτρο **START/RESET** για την εκκίνηση ή την ακύρωση των επιλεγμένων προγραμμάτων.

Πλήκτρο **ΑΝΑΜΜΑΤΟΣ/ΣΒΗΣΙΜΑΤΟΣ** για να ανάβετε και να σβήνετε το πλυντήριο.

Πλήκτρο επιλογής προγραμμάτων. Κατά την διάρκεια της πλύσης, το πλήκτρο παραμένει ακίνητο.

Σημειώσεις: Για την αποφυγή υπερβολικών δονήσεων πριν από κάθε φυγοκέντρηση το πλυντήριο κατανέμει το φορτίο ομοιόμορφα, κι αυτό γίνεται κάνοντας συνεχείς περιστροφές του κάδου σε ταχύτητα ελαφρά μεγαλύτερη εκείνης του πλυσίματος. Όταν παρά τις συνεχείς προσπάθειες το φορτίο δεν κατανέμεται απόλυτα ομοιόμορφα, η μηχανή κάνει το στύψιμο σε ταχύτητα μικρότερη της προβλεπόμενης. Παρουσία υπερβολικής ανισοκατανομής η μηχανή διενεργεί την κατανομή στη θέση του στύψιματος. Οι ενδεχόμενες προσπάθειες ισοστάθμισης μπορεί να επιμηκύνουν την ολική διάρκεια του κύκλου μέχρι ένα μέγιστο 10 λεπτών.

Οθόνη

GR

Εκτός του ότι αποτελεί ένα χρήσιμο στοιχείο για τον προγραμματισμό του μηχανήματος (βλέπε σελ. 55), η οθόνη παρέχει πληροφορίες για τον κύκλο πλυσίματος.



Αφού πατήσετε το κουμπί START/RESET για να εκκινήσετε το πρόγραμμα, στην οθόνη απεικονίζεται ο χρόνος που υπολείπεται για το τέλος του κύκλου. Στην περίπτωση που τέθηκε μια καθυστέρηση στην ώρα εκκίνησης (Delay Timer, βλέπε σελ. 55), αυτό θα απεικονιστεί.

Πόρτα ασφαλισμένη:


Το αναμμένο σύμβολο δείχνει ότι η πόρτα είναι ασφαλισμένη για την παρεμπόδιση τυχαιών ανοιγμάτων. Για την αποφυγή ζημιών θα πρέπει να περιμένετε να σβήσει το σύμβολο πριν ανοίξετε την πόρτα.


Στο τέλος του προγράμματος απεικονίζεται η ένδειξη END.

! Σε περίπτωση προβλήματος εμφανίζεται ένας κωδικός σφάλματος, για παράδειγμα F-01, τον οποίο θα πρέπει να αναφέρετε στην Τεχνική Υποστήριξη (βλέπε σελ. 59).

Πρόγραμμα “MEMO”

Το πρόγραμμα αυτό επιτρέπει την αποθήκευση του κύκλου του επιθυμητού πλυσίματος ή του πιο χρησιμοποιούμενου.

Αρκεί να επιλέξετε το επιθυμητό πρόγραμμα και αφού το εκκινήσετε στρέψτε τον ΕΠΙΛΟΓΕΑ στη θέση , αυτόματα ο κύκλος θα αποθηκευτεί και στην οθόνη θα εμφανιστεί η ένδειξη “MEMO” να αναβοσβήνει για μερικά δευτερόλεπτα.

Στη συνέχεια μπορείτε να εκκινήσετε τον κύκλο “MEMO” στρέφοντας απλά τον ΕΠΙΛΟΓΕΑ στη θέση . Θα μπορούν να απεικονιστούν οι τιμές θερμοκρασίας/στυσίματος/ delay timer πιέζοντας τα αντίστοιχα κουμπιά, θα μπορούν επίσης και να τροποποιηθούν, όμως η μεταβολή αυτή θα είναι έγκυρη για το σε εξέλιξη πρόγραμμα και δεν θα αποθηκευτεί στον κύκλο “MEMO”.

Αν θέλετε να αποθηκεύσετε ένα νέο κύκλο πλυσίματος επαναλάβετε τις παραπάνω διαδικασίες.

Εκκίνηση και Προγράμματα





GR

Εν συντομία: εκκίνηση ενός προγράμματος

1. Ανάψτε το πλυντήριο πιέζοντας το πλήκτρο (⏻).
2. Φορτώστε τη μπουγάδα και κλείστε την πόρτα.
3. Επιλέξτε με τον επιλογέα το επιθυμητό πρόγραμμα. Στην οθόνη θα φανεί ο εκτιμώμενος χρόνος. Θερμοκρασία και στύψιμο τίθενται αυτόματα με βάση το πρόγραμμα (για την τροποποίησή τους βλέπε σελ. 55).

4. Επιλέξτε ενδεχόμενες λειτουργίες (βλέπε σελ. 55).
5. Τοποθετήστε το απορρυπαντικό και τυχόν πρόσθετα (βλέπε σελ. 56).
6. Εκκινήστε το πρόγραμμα πιέζοντας το κουμπί START/RESET.
Για την ακύρωση κρατήστε πατημένο το κουμπί START/RESET για τουλάχιστον 2 δευτερόλεπτα.
7. Στο τέλος του προγράμματος εμφανίζεται η ένδειξη END. Βγάλτε τα ρούχα και αφήστε την πόρτα μισόκλειστη για να στεγνώσει ο κάδος.
8. Σβήστε το πλυντήριο πιέζοντας το πλήκτρο (⏻).

Πίνακας των προγραμμάτων

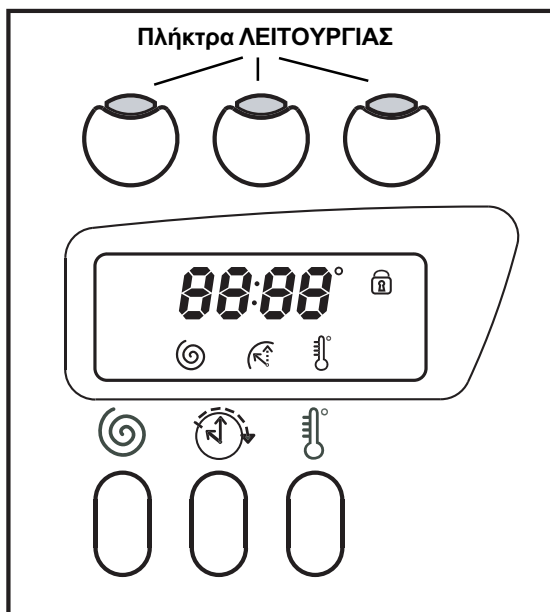
Φύση των υφασμάτων και των λεκέδων	Προγρά.	Θερμοκρασία	Απορρυπαντικό		Μαλακτικό	Δυνατότητα Ξελεκιάσματος / Χλωρίνη	Διάρκεια του κύκλου (λεπτά)	Περιγραφή του κύκλου πλυσίματος
			πρόπλ.	πλύσ.				
Στάνταρ								
Λευκά εξαιρετικά λερωμένα (σεντόνια, τραπεζομάντιλα, κλπ.)	1	90°C	•	•	•		155	Πρόπλυση, πλύσιμο, ξεβγάλματα, ενδιάμεσα στυψίματα και τελικό
Λευκά εξαιρετικά λερωμένα (σεντόνια, τραπεζομάντιλα, κλπ.)	2	90°C		•	•	Απαλό / Παραδοσιακό	150	Πλύσιμο, ξεβγάλματα, ενδιάμεσα στυψίματα και τελικό
Λευκά και χρωματιστά ανθεκτικά, πολύ λερωμένα	2	60°C		•	•	Απαλό / Παραδοσιακό	140	Πλύσιμο, ξεβγάλματα, ενδιάμεσα στυψίματα και τελικό
Λευκά και χρωματιστά ευαίσθητα, πολύ λερωμένα	2	40°C		•	•	Απαλό / Παραδοσιακό	125	Πλύσιμο, ξεβγάλματα, ενδιάμεσα στυψίματα και τελικό
Λευκά λίγο λερωμένα και ευαίσθητα χρώματα (πουκάμισα, μπλούζες, κλπ.)	3	40°C		•	•	Απαλό / Παραδοσιακό	85	Πλύσιμο, ξεβγάλματα, ενδιάμεσα στυψίματα και τελικό
Χρώματα ανθεκτικά, πολύ λερωμένα (ασπρόρουχα για νεογέννητα, κλπ.)	4	60°C		•	•	Απαλό	83	Πλύσιμο, ξεβγάλματα, ατσαλάκωτα ή απαλό στύψιμο
Χρώματα ανθεκτικά, πολύ λερωμένα (ασπρόρουχα για νεογέννητα, κλπ.)	4	40°C		•	•	Απαλό	70	Πλύσιμο, ξεβγάλματα, ατσαλάκωτα ή απαλό στύψιμο
Μάλλινα	5	40°C		•	•		50	Πλύσιμο, ξεβγάλματα και απαλό στύψιμο
Υφάσματα πολύ ευαίσθητα (κουρτίνες, μεταξωτά, βισκόζη, κλπ.)	6	30°C		•	•		45	Πλύσιμο, ξεβγάλματα, ατσαλάκωτα ή άδειασμα
Time 4 you								
Λευκά και χρωματιστά ανθεκτικά, πολύ λερωμένα	7	60°C		•	•		60	Πλύσιμο, ξεβγάλματα, ενδιάμεσα στυψίματα και τελικό
Λευκά λίγο λερωμένα και ευαίσθητα χρώματα (πουκάμισα, μπλούζες, κλπ.)	8	40°C		•	•		50	Πλύσιμο, ξεβγάλματα, ενδιάμεσα στυψίματα και τελικό
Χρώματα ευαίσθητα (ρούχα όλων των τύπων ελαφρά λερωμένα)	9	40°C		•	•		40	Πλύσιμο, ξεβγάλματα, και απαλό στύψιμο
Χρώματα ευαίσθητα (ρούχα όλων των τύπων ελαφρά λερωμένα)	10	30°C		•	•		30	Πλύσιμο, ξεβγάλματα, και απαλό στύψιμο
Sport								
Αθλητικά παπούτσια (MAX. 2 ζεύγη.)	11	30°C		•	•		50	Πλύσιμο σε κρύο νερό (χωρίς απορρυπαντικό), πλύσιμο, ξεβγάλματα, και απαλό στύψιμο
Υφάσματα για αθλητική ένδυση (Φόρμες, παντελονάκια, κλπ.)	12	30°C		•	•		60	Πλύσιμο, ξεβγάλματα, ενδιάμεσα στυψίματα και τελικό
MEMO		Επιτρέπει την αποθήκευση οποιουδήποτε τύπου πλυσίματος (βλέπε σελ. 53).						
ΕΠΙ ΜΕΡΟΥΣ ΠΡΟΓΡΑΜΜΑΤΑ								
Ξέβγαλμα					•	Απαλό / Παραδοσιακό		Ξεβγάλματα και στύψιμο
Στύψιμο								Άδειασμα και στύψιμο
Άδειασμα								Άδειασμα

Σημειώσεις

- Για τα προγράμματα 7- 8 προτείνεται να μην ξεπεράσετε ποσότητα μπουγάδας 3,5 kg.
- Για το πρόγραμμα 12 προτείνεται να μην ξεπεράσετε ποσότητα μπουγάδας 2 kg.
- Για την περιγραφή του «ατσαλάκωτα»: βλέπε λιγότερο Σιδέρωμα, *σελίδα δίπλα*. Τα στοιχεία που αναφέρονται στον πίνακα είναι ενδεικτικά.

Ειδικό πρόγραμμα

Ημερήσιο 30' (πρόγραμμα 10 για Συνθετικά) μελετήθηκε για το πλύσιμο ρούχων ελαφρά λερωμένων σε σύντομο χρόνο: διαρκεί μόνο 30 λεπτά και σας εξοικονομεί χρόνο και ενέργεια. Θέτοντας το πρόγραμμα (10 σε 30°C) μπορείτε να πλύνετε μαζί υφάσματα διαφορετικής φύσης (εκτός μάλλινων και μεταξωτών) με ένα μέγιστο φορτίο 3 kg. *Συνιστάται η χρήση υγρού απορρυπαντικού.*



Ρυθμίστε το στύψιμο

Αν κατά την έναρξη λειτουργίας του μηχανήματος ο ΕΠΙΛΟΓΕΑΣ είναι τοποθετημένος σε ένα πρόγραμμα που προβλέπει το στύψιμο, το εικονίδιο εμφανίζεται σταθερό. Πιέζοντας το κουμπί απεικονίζεται η μέγιστη επιτρεπτή ταχύτητα στύψιματος για το επιλεγμένο πρόγραμμα και το εικονίδιο αναβοσβήνει. Πιέζοντάς το περισσότερο οι τιμές μειώνονται μέχρι το OFF, που δείχνει τον αποκλεισμό του στύψιματος (συνεχίστε να πιέζετε για να επιστρέψετε στην υψηλότερη τιμή). Σταματήστε στην επιθυμητή ταχύτητα, μετά από 2 δευτερόλεπτα περίπου η επιλογή γίνεται δεκτή: το σύμβολο παραμένει σταθερό. Η ρύθμιση της ταχύτητας στύψιματος είναι ενεργή με όλα τα προγράμματα πλύσης εκτός από το 6 και το πρόγραμμα αδειάσματος.

Ρύθμιση του Delay Timer

Πιέζοντας το κουμπί στην οθόνη απεικονίζεται η ένδειξη OFF και το σχετικό σύμβολο αναβοσβήνει. Πιέζοντας ακόμη 1 φορά το κουμπί εμφανίζεται "1h" δηλαδή καθυστέρηση μιας ώρας και συνεχίζετε έτσι μέχρι 24h. Σταματήστε στην επιθυμητή "καθυστέρηση", μετά από 2 δευτερόλεπτα περίπου η επιλογή γίνεται δεκτή. Μετά στην οθόνη απεικονίζεται ο προβλεπόμενος χρόνος για το επιλεγμένο πρόγραμμα

και το σύμβολο παραμένει αναμμένο. Πιέζοντας τώρα το κουμπί START/RESET επανεμφανίζεται η τιμή της επιλεγμένης "καθυστέρησης" που μειώνει κάθε ώρα μέχρι την έναρξη του κύκλου, στη φάση αυτή μπορείτε να τροποποιήσετε την τιμή της "καθυστέρησης" μόνο μειώνοντάς τη. Η ρύθμιση του Delay Timer είναι ενεργή με όλα τα προγράμματα.

Ρυθμίστε τη θερμοκρασία

Αν κατά την έναρξη λειτουργίας του μηχανήματος ο ΕΠΙΛΟΓΕΑΣ είναι τοποθετημένος σε ένα πρόγραμμα που προβλέπει τη ρύθμιση της θερμοκρασίας, το εικονίδιο εμφανίζεται σταθερό. Πιέζοντας το κουμπί απεικονίζεται η μέγιστη επιτρεπτή θερμοκρασία για το επιλεγμένο πρόγραμμα και το εικονίδιο αναβοσβήνει. Πιέζοντάς το περισσότερο η θερμοκρασία μειώνεται μέχρι το OFF, που δείχνει το εν ψυχρώ πλύσιμο (συνεχίστε να πιέζετε για να επιστρέψετε στην υψηλότερη τιμή). Σταματήστε στην επιθυμητή τιμή, μετά από 2 δευτερόλεπτα περίπου η επιλογή γίνεται δεκτή: το σύμβολο παραμένει σταθερό. Η ρύθμιση της θερμοκρασίας είναι ενεργή με όλα τα προγράμματα πλύσης.

Λειτουργίες

Οι διάφορες λειτουργίες πλυσίματος που προβλέπονται από το πλυντήριο επιτρέπουν την επίτευξη του καθαρισμού και του λευκού που επιθυμείτε. Για την ενεργοποίηση των λειτουργιών:

1. πιέστε το πλήκτρο που αντιστοιχεί στην επιθυμητή λειτουργία, σύμφωνα με τον παρακάτω πίνακα;
2. Το άναμμα του σχετικού πλήκτρου σηματοδοτεί ότι η λειτουργία είναι ενεργή.

Σημείωση: Το γρήγορο αναβοσβήσιμο του πλήκτρου δείχνει ότι η σχετική λειτουργία δεν μπορεί να επιλεγεί για το επιλεγμένο πρόγραμμα.

Στην περίπτωση που επιλεγεί μια λειτουργία μη συμβατή με μια άλλη που επιλέχθηκε προηγουμένως θα παραμείνει ενεργή μόνο η τελευταία επιλογή.

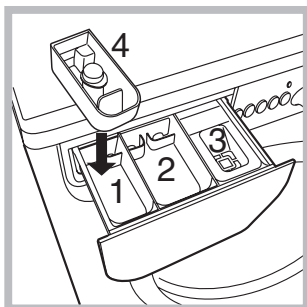
Λειτουργίες	Αποτέλεσμα	Παρατηρήσεις για τη χρήση	Ενεργή με τα προγράμματα:
Λευκάνσεις	Κύκλος λεύκανσης κατάλληλος για την απομάκρυνση των πλέον ανθεκτικών λεκέδων.	Θυμηθείτε να χύσετε τη χλωρίνη στην πρόσθετη θήκη 4 (βλέπε σελ. 56). δεν είναι συμβατή η λειτουργία Λιγότερο σιδέρωμα .	2, 3, 4, Ξεβγάλματα .
Extra Ξέβγαλμα	Αυξάνει την αποτελεσματικότητα του ξεβγάλματος.	Προτείνεται με το πλυντήριο τελείως γεμάτο ή με υψηλές δόσεις απορρυπαντικού.	1, 2, 3, 4, 7, 8, 9, 11, 12, Ξεβγάλματα .
Λιγότερο σιδέρωμα	Μειώνει τις πτυχώσεις στα υφάσματα, διευκολύνοντας το σιδέρωμα.	Επιλέγοντας τη λειτουργία αυτή, τα προγράμματα 4, 6 διακόπτονται με τη μπουγάδα σε μούλιασμα (Χωρίς τσαλάκωμα) και το σχετικό κουμπί αναβοσβήνει. - Για να ολοκληρώσετε τον κύκλο πιέστε το κουμπί START/RESET ή το κουμπί Λιγότερο σιδέρωμα .; - για τη διενέργεια μόνο του αδειάσματος τοποθετήστε τον επιλογέα στο σχετικό σύμβολο και πιέστε το κουμπί START/RESET. δεν είναι συμβατή η λειτουργία Λευκάνσεις	3, 4, 6, 7, 8, 9, Ξεβγάλματα .

Απορρυπαντικά και ρούχα

GR

Θήκη απορρυπαντικών

Το καλό αποτέλεσμα του πλυσίματος εξαρτάται επίσης και από τη σωστή δοσολογία του απορρυπαντικού: υπερβάλλοντας δεν πλένουμε αποτελεσματικότερα και επιπλέον συντελούμε στη δημιουργία κρούστας στα εσωτερικά μέρη του πλυντηρίου και στη μόλυνση του περιβάλλοντος.



Βγάλτε τη θήκη απορρυπαντικών και εισάγετε το απορρυπαντικό ή το πρόσθετο ως εξής.

Θήκη 1: Απορρυπαντικό για πρόπλυση (σε σκόνη)

Πριν τοποθετήσετε το απορρυπαντικό, βεβαιωθείτε ότι έχει εισαχθεί η πρόσθετη θήκη 4.

Θήκη 2: Απορρυπαντικό για πλύσιμο (σε σκόνη ή υγρό)

Το υγρό απορρυπαντικό τοποθετείται μόνο πριν την έναρξη της πλύσης.

Θήκη 3: Πρόσθετα (μαλακτικό, κλπ.)

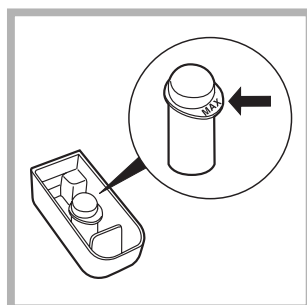
Το μαλακτικό δεν πρέπει να διαφεύγει από το πλέγμα.

Θήκη πρόσθετη 4: Χλωρίνη


! Μη χρησιμοποιείτε απορρυπαντικά για το πλύσιμο στο χέρι, διότι παράγουν πολύ αφρό.

Κύκλος λεύκανσης

! Η παραδοσιακή χλωρίνη χρησιμοποιείται για τα λευκά ανθεκτικά υφάσματα, η **απαλή** για τα χρωματιστά υφάσματα, τα συνθετικά και τα μάλλινα.



Εισάγετε την πρόσθετη θήκη 4, που σας παρέχεται, στη θήκη 1. Στη δοσολογία της χλωρίνης μην ξεπερνάτε τη στάθμη "max" που φαίνεται στον κεντρικό πείρο (βλέπε εικόνα).

Για την διενέργεια μόνο της λεύκανσης, τοποθετήστε την χλωρίνη στην πρόσθετη θήκη 4 και επιλέξτε το αντίστοιχο πρόγραμμα Ξέβγαλμα  την επιλογή Λεύκανση (βλέπε σελ. 55).

Για λεύκανση κατά την πλύση, τοποθετήστε το απορρυπαντικό και τα πρόσθετα, επιλέξτε το επιθυμητό πρόγραμμα και ενεργοποιήστε την επιλογή Λεύκανση (βλέπε σελ. 55).

Η χρήση της πρόσθετης θήκης 4 αποκλείει την πρόπλυση.

Προετοιμασία της πλύσης

- Χωρίστε τα ρούχα ανάλογα:
 - με το είδος του υφάσματος/ το σύμβολο της ετικέτας.
 - τα χρώματα: χωρίστε τα χρωματιστά ρούχα από τα λευκά.
- Αδειάστε τις τσέπες και ελέγξτε τα κουμπιά.
- Μην ξεπερνάτε τις υποδεικνυόμενες τιμές, σε σχέση με το βάρος των ρούχων που πρόκειται να πλυθούν:
 - Ανθεκτικά υφάσματα: max 6 kg
 - Συνθετικά υφάσματα: max 2,5 kg
 - Ευαίσθητα υφάσματα: max 2 kg
 - Μάλλινα: max 1,5 kg

Πόσο ζυγίζουν τα ρούχα?

- 1 σεντόνι 400-500 gr.
- 1 μαξιλαροθήκη 150-200 gr.
- 1 τραπεζομάντιλο 400-500 gr.
- 1 μπουρνούζι 900-1.200 gr.
- 1 πετσέτα 150-250 gr.

Ειδικά ρούχα

Κουρτίνες: διπλώστε τις μέσα σε ένα μαξιλάρι ή σε ένα δικτυωτό σακούλι. Πλύνετε τις μόνες χωρίς να ξεπεράσετε το μισό φορτίο. Χρησιμοποιήστε το πρόγραμμα 6 που αποκλείει αυτόματα το στύψιμο.

Παπλώματα και μπουφάν: αν το γέμισμα είναι χήνας ή πάπιας μπορούν να πλυθούν στο πλυντήριο. Γυρίστε τα ρούχα από την ανάποδη και επιλέξτε μέγιστο φορτίο 2-3 kg, επαναλαμβάνοντας το ξέβγαλμα μια ή δύο φορές και χρησιμοποιώντας το απαλό στύψιμο.

Μάλλινα: για καλύτερα αποτελέσματα χρησιμοποιήστε ειδικό απορρυπαντικό και μην ξεπερνάτε το 1,5 kg φορτίο.

! Το πλυντήριο σχεδιάστηκε και κατασκευάστηκε σύμφωνα με τους διεθνείς κανόνες ασφαλείας. Αυτές οι προειδοποιήσεις παρέχονται για λόγους ασφαλείας και πρέπει να διαβάζονται προσεκτικά.

Γενική ασφάλεια

- Η συσκευή αυτή σχεδιάστηκε για οικιακή χρήση, μη επαγγελματική και οι λειτουργίες της δεν πρέπει να αλλοιωθούν.
- Το πλυντήριο πρέπει να χρησιμοποιείται μόνο από ενήλικα άτομα και σύμφωνα με τις οδηγίες που αναφέρονται στο παρόν εγχειρίδιο.
- Μην αγγίζετε το μηχάνημα με γυμνά πόδια ή με τα χέρια ή τα πόδια βρεγμένα.
- Μην βγάζετε το βύσμα από την ηλεκτρική πρίζα τραβώντας το καλώδιο, αλλά να πιάνετε την πρίζα.
- Μην ανοίγετε το συρταράκι απορρυπαντικών ενώ το μηχάνημα είναι σε λειτουργία.
- Μην αγγίζετε το νερό αδειάσματος, αφού μπορεί να φτάσει σε υψηλές θερμοκρασίες.
- Μην ζορίζετε σε καμία περίπτωση την πόρτα: θα μπορούσε να χαλάσει ο μηχανισμός ασφαλείας που προστατεύει από τυχαία ανοίγματα.
- Σε περίπτωση βλάβης, σε καμία περίπτωση να μην επεμβαίνετε στους εσωτερικούς μηχανισμούς για να προσπαθήσετε να την επισκευάσετε.
- Να ελέγχετε πάντα τα παιδιά να μην πλησιάζουν στο μηχάνημα όταν αυτό λειτουργεί.
- Κατά το πλύσιμο η πόρτα τείνει να θερμαίνεται.
- Αν το πλυντήριο πρέπει να μετατοπιστεί, συνεργαστείτε δύο ή τρία άτομα με τη μέγιστη προσοχή. Ποτέ μόνοι σας γιατί το μηχάνημα είναι πολύ βαρύ.
- Πριν εισάγετε τα ρούχα για πλύσιμο, ελέγξτε αν ο κάδος είναι άδειος.

Διάθεση

- Διάθεση του υλικού συσκευασίας: τηρείστε τους τοπικούς κανονισμούς, ώστε οι συσκευασίες να μπορούν να επαναχρησιμοποιηθούν.
- Η ευρωπαϊκή οδηγία 2002/96/EK για τα Απόβλητα Ηλεκτρικού και Ηλεκτρονικού Εξοπλισμού, απαιτεί ότι οι παλαιές οικιακές ηλεκτρικές συσκευές δεν πρέπει να αποβάλλονται μαζί με τα υπόλοιπα απόβλητα του δημοτικού δικτύου. Οι παλαιές συσκευές πρέπει να συλλεχθούν χωριστά προκειμένου να βελτιστοποιηθούν η αποκατάσταση και η ανακύκλωση των υλικών που περιέχουν και με σκοπό τη μείωση των βλαβερών επιπτώσεων στην ανθρώπινη υγεία και το περιβάλλον. Το

σύμβολο με το διεγραμμένο “δοχείο αποβλήτων” στο προϊόν υπενθυμίζει σε σας την υποχρέωσή σας, πως όταν επιθυμείτε να πετάξετε τη συσκευή, πρέπει να συλλεχθεί χωριστά. Οι καταναλωτές θα πρέπει να απευθύνονται στις τοπικές αρχές ή στα καταστήματα λιανικής για πληροφορίες που αφορούν τη σωστή διάθεση των παλαιών ηλεκτρικών συσκευών.

Εξοικονόμηση ενέργειας και σεβασμός του περιβάλλοντος

Τεχνολογία στην υπηρεσία του περιβάλλοντος

Αν στην πόρτα φαίνεται λίγο νερό είναι γιατί με τη νέα τεχνολογία Indesit φτάσει λιγότερο από το μισό του νερού για να έχετε το βέλτιστο πλύσιμο: ένας στόχος που επιτεύχθηκε για το σεβασμό του περιβάλλοντος.

Εξοικονόμηση απορρυπαντικού, νερού, ενέργειας και χρόνου

- Για να μην ξοδεύετε πόρους θα πρέπει να χρησιμοποιείτε το πλυντήριο με το μέγιστο φορτίο. Όνα πλήρες φορτίο στη θέση δύο μισών σας εξοικονομεί μέχρι το 50% ενέργειας.
- Η πρόπλυση είναι αναγκαία μόνο τα ασπρόρουχα που είναι πολύ λερωμένα. Αποφεύγοντάς τη εξοικονομείτε απορρυπαντικό, χρόνο, νερό και από 5 έως 15% ενέργειας.
- Περνώντας τους λεκέδες με ένα καθαριστικό ή αφήνοντάς τους σε μούλιασμα πριν το πλύσιμο, μειώνεται η αναγκαιότητα πλυσίματος σε υψηλές θερμοκρασίες. Όνα πρόγραμμα σε 60°C αντί των 90°C ή ένα σε 40°C αντί των 60°C, σας εξοικονομεί μέχρι 50% ενέργειας.
- Να δοσολογείτε καλά το απορρυπαντικό με βάση την σκληρότητα του νερού, το βαθμό βρωμιάς και την ποσότητα της μπουγάδας ώστε να αποσοβείτε σπατάλες και να προστατεύετε το περιβάλλον: ακόμα και τα βιοδιασπώμενα απορρυπαντικά περιέχουν στοιχεία που αλλοιώνουν την ισορροπία στην φύση. Επιπλέον να αποφεύγετε το μέγιστο δυνατόν το μαλακτικό.
- Πλένοντας αργά το απόγευμα μέχρι τις πρώτες πρωινές ώρες συμβάλλετε στην μείωση του απαιτούμενου ηλεκτρικού φορτίου από πλευράς επιχειρήσεων ηλεκτρικής ενέργειας. Η δυνατότητα Delay Timer (βλέπε σελ. 55) βοηθάει πολύ στην οργάνωση των πλυσιμάτων με την έννοια αυτή.
- Αν η μπουγάδα πρέπει να στεγνώσει σε ένα στεγνωτήριο, επιλέξτε υψηλή ταχύτητα στुψίματος. Λίγο νερό στην μπουγάδα σας εξοικονομεί χρόνο και ενέργεια στο πρόγραμμα στεγνώματος.

Συντήρηση και φροντίδα

GR

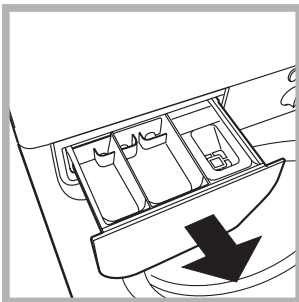
Κλείσιμο παροχών νερού και ηλεκτρικού ρεύματος

- Κλείνετε την βρύση μετά από κάθε πλύσιμο. Έτσι περιορίζεται η φθορά της υδραυλικής εγκατάστασης του πλυντηρίου και αποσοβείται ο κίνδυνος απωλειών.
- Βγάλτε το βύσμα από το ρεύμα όταν καθαρίζετε το πλυντήριο και κατά τις εργασίες συντήρησης.

Καθαρισμός του πλυντηρίου

Το εξωτερικό μέρος και τα λαστιχένια μέρη μπορούν να καθαρίζονται με ένα πανί βρεγμένο με χλιαρό νερό και σαπούνι. Μη χρησιμοποιείτε διαλύτες ή αποξυστικά.

Καθαρισμός του συρταριού απορρυπαντικών



Τραβήξτε το συρτάρι ανασηκώνοντάς το και τραβώντας το προς τα έξω (βλέπε εικόνα). Πλένετέ το κάτω από τρεχούμενο νερό. Ο καθαρισμός αυτός διενεργείται συχνά.

Φροντίδα της πόρτας και του κάδου

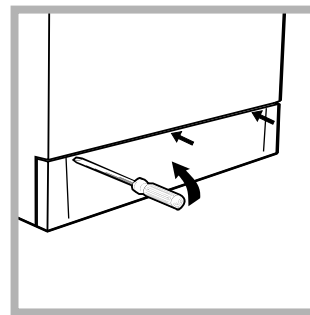
- Να αφήνετε πάντα μισόκλειστη την πόρτα για να μην παράγονται δυσσομίες.

Καθαρισμός της αντλίας

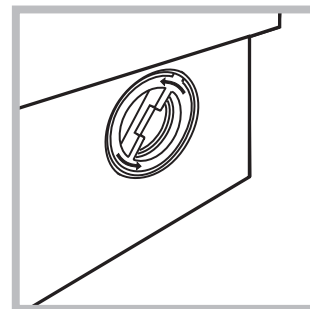
Το πλυντήριο διαθέτει μια αντλία αυτοκαθαριζόμενη που δεν χρειάζεται συντήρηση. Μπορεί όμως να τύχει να πέσουν μικρά αντικείμενα (κέρματα, κουμπιά) στον προθάλαμο που προστατεύει την αντλία, που βρίσκεται στο κάτω μέρος αυτής.

! Βεβαιωθείτε ότι ο κύκλος πλυσίματος έχει τελειώσει και βγάλτε το βύσμα.

Για να έχετε πρόσβαση στον προθάλαμο:



1. αφαιρέστε το ταμπλό κάλυψης στο πρόσθιο πλευρό του πλυντηρίου με τη βοήθεια ενός κατσαβιδιού (βλέπε εικόνα)



2. ξεβιδώστε το καπάκι στρέφοντάς το αριστερόστροφα (βλέπε εικόνα): είναι φυσικό να βγαίνει λίγο νερό.

3.καθαρίστε επιμελώς το εσωτερικό

4.ξαναβιδώστε το καπάκι

5.ξαναμοντάρετε το ταμπλό όντας σίγουροι, πριν το σπρώξετε προς το μηχάνημα, ότι έχετε εισάγει τα γαντζάκια στις αντίστοιχες εσοχές.

Έλεγχος του σωλήνα τροφοδοσίας του νερού

Ελέγχετε το σωλήνα τροφοδοσίας τουλάχιστον μια φορά ετησίως. Αν παρουσιάζει σκασίματα και σχισμές αντικαθίσταται: κατά τα πλυσίματα οι ισχυρές πιέσεις θα μπορούσαν να προκαλέσουν ξαφνικά σπασίματα.

! Μη χρησιμοποιείτε ποτέ σωλήνες χρησιμοποιημένους.

Μπορεί να συμβεί το πλυντήριο να μη λειτουργεί. Πριν τηλεφωνήσετε στην Υποστήριξη (βλέπε σελ. 60), ελέγξτε αν δεν πρόκειται για ένα πρόβλημα που επιλύεται εύκολα με τη βοήθεια του ακόλουθου καταλόγου.


Ανωμαλίες:

Πιθανά αίτια / Λύση:

Το πλυντήριο δεν ανάβει.

- Το βύσμα δεν έχει εισαχθεί στην ηλεκτρική πρίζα, ή τουλάχιστον όχι αρκετά για να κάνει επαφή.
- Στο σπίτι δεν υπάρχει ρεύμα.

Ο κύκλος πλυσίματος δεν ξεκινάει.

- Η πόρτα δεν είναι καλά κλειστή (στην οθόνη απεικονίζεται η ένδειξη DOOR).
- Το κουμπί  δεν πατήθηκε.
- Το κουμπί START/RESET δεν πατήθηκε.
- η βρύση δεν είναι ανοικτή.
- Τέθηκε μια καθυστέρηση στον χρόνο εκκίνησης (Delay Timer, βλέπε σελ. 55).

Το πλυντήριο δεν φορτώνει νερό (Στην οθόνη απεικονίζεται η ένδειξη H₂O).

- Ο σωλήνας τροφοδοσίας του νερού δεν είναι συνδεδεμένος στον κρουνό.
- Ο σωλήνας είναι διπλωμένος.
- η βρύση δεν είναι ανοικτή.
- Στο σπίτι λείπει το νερό.
- Δεν υπάρχει αρκετή πίεση.
- Το κουμπί START/RESET δεν πατήθηκε.

Το πλυντήριο φορτώνει και αδειάζει νερό συνεχώς.

- Ο σωλήνας αδειάσματος δεν έχει εγκατασταθεί μεταξύ 65 και 100 cm από το έδαφος (βλέπε σελ. 51).
- Το άκρο του σωλήνα αδειάσματος είναι βυθισμένο στο νερό (βλέπε σελ. 51).
- Το επιτοίχιο άδειασμα δεν έχει απαέρωση.

Αν μετά από αυτούς τους ελέγχους το πρόβλημα δεν λύνεται, κλείστε τον κρουνό του νερού, σβήστε το πλυντήριο και καλέστε την Υποστήριξη. Αν η κατοικία βρίσκεται στους τελευταίους ορόφους ενός κτιρίου, μπορεί να διαπιστωθούν φαινόμενα σιφωνισμού, οπότε το πλυντήριο φορτώνει και αδειάζει νερό συνεχώς. Για την αντιμετώπιση του προβλήματος διατίθενται στο εμπόριο κατάλληλες βαλβίδες αντι-σιφωνισμού.

Το πλυντήριο δεν φορτώνει ή δεν στύβει.

- Το πρόγραμμα δεν προβλέπει το άδειασμα: με ορισμένα προγράμματα πρέπει να το ενεργοποιείτε χειροκίνητα (βλέπε σελ. 54).
- Είναι ενεργή η δυνατότητα λιγότερο Σιδέρωμα: για την ολοκλήρωση του προγράμματος πιέστε το κουμπί START/RESET (βλέπε σελ. 55).
- Ο σωλήνας αδειάσματος είναι διπλωμένος (βλέπε σελ. 51).
- Ο αγωγός αδειάσματος είναι βουλωμένος.

Το πλυντήριο δονείται πολύ κατά το στύψιμο.

- Ο κάδος, τη στιγμή της εγκατάστασης, δεν απασφαλίστηκε σωστά (βλέπε σελ. 50).
- Το πλυντήριο δεν είναι οριζοντιωμένο (βλέπε σελ. 50).
- Το πλυντήριο είναι στενά μεταξύ επίπλων και τοίχου (βλέπε σελ. 50).

Το πλυντήριο χάνει νερό.

- Ο σωλήνας τροφοδοσίας του νερού δεν είναι καλά βιδωμένος (βλέπε σελ. 50).
- Το συρταράκι απορρυπαντικών είναι βουλωμένο (για να το καθαρίσετε βλέπε σελ. 58).
- Ο σωλήνας αδειάσματος δεν έχει στερεωθεί καλά (βλέπε σελ. 51).

Η μηχανή είναι ασφαλισμένη, η οθόνη αναβοσβήνει και εμφανίζεται έναν κωδικό ανωμαλίας (π.χ.: F-01, F-..).

- Σβήστε τη μηχανή και βγάλτε το βύσμα από την πρίζα, περιμένετε περίπου 1 λεπτό μετά ξαναβάψτε τη.
- Αν η ανωμαλία επιμένει, καλέστε την Υποστήριξη.

Σχηματίζεται πολύς αφρός.

- Το απορρυπαντικό δεν είναι ειδικό για πλυντήριο (πρέπει να υπάρχει η ένδειξη “για πλυντήριο”, “για πλύσιμο στο χέρι και στο πλυντήριο”, ή παρόμοια).
- Η δοσολογία υπήρξε υπερβολική.

Πριν καλέσετε την τεχνική υποστήριξη:

- Βεβαιωθείτε ότι δεν μπορείτε να επιλύσετε μόνοι σας το πρόβλημα (βλέπε σελ. 59)
- Επανεκκινήστε το πρόγραμμα για να ελέγξετε αν το πρόβλημα αντιμετωπίστηκε
- Σε αντίθετη περίπτωση, επικοινωνήστε με το εξουσιοδοτημένο τμήμα τεχνικής υποστήριξης που αναγράφεται στο πιστοποιητικό εγγύησης.

! Μην καταφεύγετε ποτέ σε μη εξουσιοδοτημένους τεχνικούς.

Γνωστοποιήστε:

- το είδος του προβλήματος
- το μοντέλο του μηχανήματος (Mod.)
- τον αριθμό σειράς (S/N).

Οι πληροφορίες αυτές βρίσκονται στην ταμπελίτσα που υπάρχει στο πίσω μέρος του πλυντηρίου.